



BOUNDLESS ENERGYSM

Guide for Electric Service and Meter Installations

2023_{REV2.0}

American Electric Power Company Meter and Service Guide

Preface

Published 07/01/2023.

This booklet is not intended to conflict with the National Electrical Safety Code, the National Electrical Code, or such state and local laws or ordinances as may be in force in the Company Service Area.

The following electric service guides are the Company requirements at the date of publication and are subject to change. American Electric Power Company personnel should be contacted for the latest requirements in effect.

<https://www.aepnationalaccounts.com/builders/Requirements.aspx>

E-mail: Customer_Service@aep.com

Phone numbers:

Appalachian Power Customer Service Phone: 800-982-4237

AEP Ohio Customer Service Phone: 800-672-2231

AEP Texas Customer Service Phone: 877-373-4858

Arkansas Customer Service Phone: 888-216-3523

Indiana Michigan Power Customer Service Phone: 800-311-4634

Kentucky Customer Service Phone: 800-572-1113

Public Service of Oklahoma Customer Service Phone: 888-216- 3523

Southwestern Power Customer Service Phone: 888-216-3523

Revision Notes:

Revised Figure 23. Changed Texas's reference diagram for the 3 wire network 120/208 Volt single phase self-contained

Revised Figures 13, 14, 14b. Limited the meter location from pad mount transformer for PSO. Removed unistrut being listed as an alternative means for mounting the meter box. APCo and TX do not allow unistrut for installations.7/2020

Revised Figure 15. Added wording for consistency with Section 8 of document.7/2020

Revised Figure 10, 11, 11B, 12. Updated conduit sizes 1-1/4" to 2" and associated notes added.01/2021

Revised/Added Standard for Clearance around CT Cabinets and Clearance around CT Cabinet along or on Catwalk. 01/2021

Revised Fig 12: Removed dotted meter base from the back side of the CT Cabinet. 8/2021

Added Figure 12B: Showing alternative meter base location. 9/2021

Revised Figure 13 Added cement support details for meter base support structures in reference to CT Cabinet area. 10/2021

Added Figure 20A: Detailing Clearance requirements for CT Cabinet.10/2021

Added Figure 21A: Detailed overhead CT Cabinet and Meter Equipment Catwalk installation above Flood Level in reference to platforms. 11/2021

Added Figure 21B: Detailed overhead meter equipment self-standing platform installation pole mounted above flood level. 11/2021

Updated Figure 23: Operating Companies use of self-contained meter socket connection (single phase and network). 12/2021

Updated Figure 23: Add "Oklahoma- Residential Use" to the diagram to the lower left and "Oklahoma- Commercial Use" to the lower right drawing? This revision will

eliminate confusion on what is used for 120/208 3 wire- residential vs. commercial. The meter device code NMD36 is used for

residential and the PM0F8 is used for commercial.03/2022

TABLE OF CONTENTS

SECTION 1 - INTRODUCTION5

SECTION 2 - DEFINITIONS..... 6

SECTION 3 – ELECTRIC SERVICES AVAILABLE..... 8
General
Residential Service
Commercial and Industrial Service
Service at Voltage above 240 Volts

SECTION 4 – GENERAL REQUIREMENTS..... 9
Application for Electric Service
Extension of Company’s Facilities
Installation and Responsibility
Requirements of Electrical Inspection
Customer Alterations and Additions
Temporary Service
Structures near Overhead Lines
Attachments to Company-Owned Facilities
Access to Customer’s Premises

SECTION 5 – OVERHEAD SERVICE REQUIREMENTS..... 12
Service from Overhead Lines
Mobile Home Overhead Service

SECTION 6 – UNDERGROUND SERVICE REQUIREMENTS..... 13
Underground Service
Mobile Home Underground Service

SECTION 7 - SERVICE EQUIPMENT..... 14
Service Entrance Conductors
Commercial or Industrial Service Entrance
Transformer Vaults
Grounding

SECTION 8 - METERING EQUIPMENT16
Meter Location
Meter Sockets
Meter Identification on Multi-Occupancy Buildings
Relocation of Service Equipment and Meter Board
No Connections Ahead of Metering Devices
Seals
Energy Management
Underground Service with Current Transformer Metering
Separately Metered Electric Vehicle Service

SECTION 9 – CUSTOMER’S SERVICE EQUIPMENT19

- General
- Service Equipment Rating

SECTION 10 - CUSTOMER'S UTILIZATION EQUIPMENT 21

- General
- Voltage Fluctuation Limits
- Current/Voltage Harmonic Distortion Limits
- Protection for Voltage Sensitive Equipment
- Motors
- Emergency Stand-By Generators
- Portable Generator

FIGURES

- Figure 1. Temporary Service Installation from Existing URD Secondary
- Figure 2. Alternate Temporary Service Installation from Existing URD Secondary
- Figure 3. Temporary Service Installation from Existing Overhead Secondary
- Figure 4. Single Mobile Home Overhead Service
- Figure 5. Service Drop Cable Clearances for Duplex, Triplex and Quadruplex
- Figure 6. Service Attachment to Mast of Low Profile or Other Building
- Figure 7. Service Drop Attachments at Building
- Figure 8. Single Phase Underground Service Meter Installation
- Figure 9. Single Mobile Home Underground Service (Pressure Treated Post)
- Figure 9A. Single Mobile Home Underground Service (Alternate Meter Pedestal)
- Figure 10. Current Transformer Cabinets, Overhead or Underground Service, Window Type CT's
- Figure 11. Current Transformer Cabinets Overhead or Underground, Service Window Type CT's and PT's 277/480 Volt
- Figure 11B. Current Transformer Cabinets Overhead or Underground, Service Window Type CT's and PT's 277/480 Volt
- Figure 12. Current Transformer Cabinet Free Standing Overhead to Underground Service
- Figure 13. Pad-Mount Transformer Metering Installation

American Electric Power Company Meter and Service Guide

Figure 14. Meter Installation from Pad-Mount Transformer using Bushing Type CT's

Figure 14b. Meter Installation from Pad-Mount Transformer w/ VT Pack 480V

Figure 15. 480V Delta or 277/480V Wye, 200 Amp & Below Service, Self-Contained Metering with Meter Disconnect

Figure 16. Three Phase Self-Contained Meter Socket

Figure 17. Bolted Connector Assemblies

Figure 18. Multiple Meter Installation

Figure 19. Pre-assembled Multiple Meter Installation

Figure 20. Meter Clearances

Figure 20A. CT Cabinet & Meter Equipment
Clearances Ground Level Installation

Figure 21. Typical Single Phase Overhead Meter Installation Wall Mount Above Flood Level with Platform

Figure 21A. Typical Overhead CT Cabinet & Meter Equipment Clearances Wall Mount Above Flood Level

Figure 22. Meter Socket Layout for Adding a Separately Metered Electric Vehicle Service

Figure M.S._F023. Self-Contained Meter Socket Connections (Single Phase and Network)

Figure M.S._F024. Self-Contained Meter Socket Connections (Three Wire and Four Wire Delta)

Figure M.S._F025. Self-Contained Meter Socket Connections (Four Wire Wye)

APPENDIX

Current Transformer Cabinet, Free Standing Installation

SECTION 1
INTRODUCTION

This informational booklet is issued by American Electric Power Company for the guidance of Customers, Engineers, Architects, Contractors and other interested parties planning electrical installations for residential buildings and small commercial establishments. The information and recommendations set forth herein are, in general, sufficient to answer questions concerning a majority of the installations within its scope. When questions arise which are not covered by this booklet, the Company will be pleased to furnish information on them or any matter pertaining to its service.

When planning electrical installations for larger commercial or industrial establishments, it will be necessary for the Engineer, Architect, or Electrical Contractor to contact the Company for detailed information on service requirements.

All customer owned equipment shall be installed in accordance with the requirements of the latest revision of the National Electrical Code (NEC), or of any Federal, State, County or Municipal laws or statutes that may be in effect for governing electrical installations in the area where the installation is made. The Customer, Engineer, Architect, and Electrical Contractor should ascertain that such requirements are met.

The National Electrical Safety Code (NESC), the NEC and various Federal, State, County and Municipal Ordinances are based on the prevention of hazards to life and property. They are not intended to mean that an electrical installation, made in accordance with such rules and regulations, is adequate for the customer's present or future electric service.

The requirements set forth herein are not necessarily complete facility or safety specifications. Rather they cover matters of mutual concern to the Customer and the Company, which facilitate the supplying of electric service. The requirements are subject to revision from time to time without notification so that they keep pace with developments and progress in the electric industry. Compliance with these requirements does not absolve the Customer from the obligation to install and maintain wiring and equipment in a safe condition; also, the Company does not accept any responsibility for the quality or condition of the Customer's wiring or equipment. An electrical installation should not only be capable of serving the electrical devices of today in an efficient, safe, and convenient manner, but the Customer should provide circuits and circuit capacity for future load growth.

SECTION 2
DEFINITIONS

CLEARANCES: The clear distance between two objects measured surface to surface. The clearance above ground, driveways, roads, etc. specified in this guide are the minimum required by the NESC for electrical conductor sag conditions. As such, during actual installations, higher clearances may be required to allow for the increased sag of cables/conductors under all conditions.

COMPANY: The word "Company" as used throughout this booklet refers to American Electric Power Company and its affiliates.

CUSTOMER: The word "Customer" means either a present or prospective user of the Company's electric service.

READILY ACCESSIBLE: Capable of being reached quickly for operation, renewal, or inspections, without the necessity of climbing over or removing obstacles or resorting to portable ladders, stepstools, etc.

SERVICE: The conductors and equipment for delivering electric energy from the serving utility to the wiring system of the premises served. Service has also come to be known as the supply of the Company's product, electricity, to the Customer.

SERVICE DROP: The overhead service conductors from the last pole or other aerial support to and including the splices, if any, connecting to the service-entrance conductors at the building or other structure.

TENSION: The tension limits, if any, specified in this guide are the maximum limited by the NESC under applicable loading conditions. Hence, during installation, stringing sags and tensions provided by the Company standards will be used.

Point of Delivery –

1.) Metered Loads –

a.) Self Contained Meters – Conductor termination lugs on the load side of the meter base. Note: Multiple conductors electrically connected to the same point with reference to the meter will be considered one Point of Delivery.

b.) Transformer Rated Meters – Customer owned conductor terminations on the load side of the metering current transformers in or on customer owned equipment. Note: Multiple conductors electrically connected to the same point with reference to the meter will be considered one Point of Delivery.

2.) Non-Metered Loads – Customer owned conductor terminations nearest to the AEP owned conductor terminations. Note: Multiple conductors electrically connected to the same point with reference to the AEP owned conductor terminations will be considered one Point of Delivery.

American Electric Power Company Meter and Service Guide

Disconnecting Means –

- 1.) Secondary Voltages (below 600 volts) –
 - a.) Circuit breaker.
 - b.) Fuses in series with a double throw visible disconnect switch.
- 2.) Primary Voltages (600 volts and above) –
 - a.) Circuit breaker.
 - b.) Fused disconnects.
 - c.) Gang operated disconnect switch.
 - d.) Individually operated disconnect switches.

Definitions for the following can be found in the National Electrical Code: feeder, ground, grounding conductor, grounding electrode conductor, service conductors, service entrance conductors, overhead system, underground system, service equipment, service lateral, and service point.

SECTION 3
ELECTRIC SERVICES AVAILABLE

3.01 GENERAL

One system of electrical distribution is available, namely 60 Hertz alternating current. As the voltage and the number of phases which will be supplied depend upon the character of the load as well as its size and location, it is necessary for the Customer to consult the Company regarding the type of service which will be furnished before proceeding with the purchase of equipment or the installation of wiring.

All services requested by the Customer shall be metered for energy consumption, except for dusk to dawn lights and other special services covered under a tariff containing provisions for optional un-metered service. Commercial Customers, depending on load, may require demand and reactive metering. Time-of-use metering may be available depending on the Customer load and tariff.

3.02 RESIDENTIAL SERVICE

Residential Service will be supplied single-phase three-wire, nominally 120/240 volts, or where available or needed, in a network, three-wire, nominally 120/208 volts.

3.03 COMMERCIAL AND INDUSTRIAL SERVICE

The secondary distribution available to serve commercial and industrial loads may be a three-wire, single-phase system, three-wire, three-phase system or four-wire, three-phase system. The Company should always be consulted in regard to the exact characteristics of the service that will be available.

3.04 SERVICE AT VOLTAGE ABOVE 240 VOLTS

Service may be available for applications at voltages higher than 240 volts. Refer to the "Terms and Conditions" of the appropriate company for service voltage available.

SECTION 4
GENERAL REQUIREMENTS

4.01 APPLICATION FOR ELECTRIC SERVICE

Application for electric service to either a new installation, or a revision of service for an existing installation, must be made to and accepted by the Company before service will be supplied. Application can be made by contacting the Company and should be made as far in advance as possible of the date service is required. The Customer must consult the Company for information concerning the point of attachment of the Company's service facilities to the Customer's building, the location of the meter, characteristics of service and other pertinent matters before proceeding with the installation of the service.

Application for Texas Choice can be made by contacting a Retail Electric Provider and should be made as far in advance as possible of the date service is required.

4.02 EXTENSION OF COMPANY'S FACILITIES

The Company will extend its facilities to provide service in accordance with the provisions of its tariffs on file with the Public Service Commission. When the Customer requests the Company to deliver energy in a manner or location other than that designated by the Company, the Customer will be required to pay the additional costs. The Company will be pleased to discuss its terms and conditions for the extension of facilities upon request.

4.03 INSTALLATION AND RESPONSIBILITY

It is necessary for the protection of the Customer that all work, wiring and apparatus be installed and maintained in a safe manner by a licensed electrician or qualified party. The Customer, in accepting service from the Company, assumes full responsibility for the safety of the wiring and apparatus which the Customer installs.

The Customer shall not operate any apparatus which creates a condition that interferes with the Company's operation and prevents the Company from supplying satisfactory service to the Customer or to other Customers. This condition includes, but is not limited to, operating equipment that interferes with the satisfactory operation of other Customer's radio, television and communication equipment.

The Company reserves the right to place restrictions on the type and manner of use of all the Customer's electrical equipment which is connected to the Company's lines, especially prohibiting any large loads of highly fluctuating or low power factor characteristics.

4.04 REQUIREMENTS FOR ELECTRICAL INSPECTION

The Customer is responsible for obtaining inspections on work done to their electrical system as required by the local inspection authority.

4.05 CUSTOMER ALTERATIONS AND ADDITIONS

The Company's facilities used to provide service have definite capacity limitations and can be damaged by overloads. Therefore, the Customer must notify the Company prior to making alteration to the service entrance equipment so that facilities of proper capacity may be provided. The Customer shall be responsible for all expenses and/or damages to Customer's facilities resulting from failure to give proper notice. The Customer may also be subject to charges by the Company for work required to meet the Customers' alteration. The Customer should contact the Company for information concerning charges for such work.

4.06 TEMPORARY SERVICE

The Company has special requirements for temporary service and should be consulted for each case. Where the temporary service installation is to be used in conjunction with construction work, the Company's structural requirements are shown in Figure 1, "Temporary Service Installation From Existing Underground Secondary" and Figure No. 3, "Temporary Service Installation From Existing Overhead Secondary".

4.07 STRUCTURES NEAR OVERHEAD LINES

Structures, including signs, flagpoles, light standards, antennas or aerials shall not be installed under, over, or in such close proximity to lines carrying electric current that they could be raised into or fall onto such lines or that they cannot be safely maintained. Antennas or aerials shall not be attached to a Company pole or any pole used in supplying electric service to the Customer. Consult the Company for clearance requirements.

4.08 ATTACHMENTS TO COMPANY-OWNED FACILITIES

Under no conditions will the Customer's facilities be installed on the Company's poles or other property unless special arrangements have been made with the Company.

4.09 ACCESS TO CUSTOMER'S PREMISES

The Company's authorized agents and employees shall have access to the Customer's premises, only to the extent needed by the Company for access to its property and at all reasonable hours, for the purposes necessary in connection with supplying and maintaining service. Upon termination of service, the Company shall be permitted to remove any or all such property. Authorized Company employees visiting the premises of the Customer for any purposes are furnished with an identification card. The Customer should refuse admission to persons not having proper identification.

4.10 QUALIFICATION AS A PERMANENT SINGLE-FAMILY DWELLING*

For purposes of qualifying as a permanent single-family dwelling, the dwelling to be served must become a permanent part of the property upon which it is located by meeting the following requirements:

- The dwelling must be directly connected to a pressurized potable water supply from either a well, public water system or other reasonable source

American Electric Power Company Meter and Service Guide

meeting Health Department standards.

- The dwelling must be connected to a public or private sewage disposal system septic tank/drain field or alternate sewage disposal system meeting Health Department standards.
- The dwelling must contain separately identifiable kitchen, bedroom and living room areas.
- If the dwelling is a mobile home, the wheels must be removed and the dwelling must be installed on a permanent foundation that meets the requirements of local building codes. A permanent foundation can be either a perimeter or a pier-type with concrete blocks or poured concrete.

Service extensions to any dwelling not meeting the permanence requirements set forth above, such as, without limitation, a hunting or fishing camp, camper, travel trailer, recreational vehicle or any other structure mounted on wheels which does not require a special permit to move along the highway or be towed by a motorized vehicle, shall be provided under the extension provisions for non-residential service.

*4.10 applies to West Virginia customers only.

SECTION 5
OVERHEAD SERVICE REQUIREMENTS

5.01 SERVICE FROM OVERHEAD LINES

The Company will furnish and install the service drop conductors extending from the Company's service pole to a point of attachment on the structure. The Company reserves the right in all cases to specify this point of attachment. In general, it will be at a point of the structure nearest the distribution pole from which the structure is to be served.

The service drop conductors shall be attached to the structure or building at a height required to maintain minimum clearance of the service drop wires over sidewalks, above alleys, driveways (including residential) and public roads. When it is necessary, the Customer or the Customer's contractor shall furnish and install a properly secured and anchored mast to obtain the required clearances, as shown in Figure 5. All clearances shall conform to the requirements of the latest issue of the NESC or other local regulations whichever is applicable.

Where the point of attachment is located on buildings constructed of wood, tile, stucco, concrete, asbestos shingles, plastered metal lath, brick veneer, or sheet iron, the customer or the Customer's contractor shall install the necessary facilities for mounting and securing the service drop attachments which should withstand the maximum tension of the service drop cable. For proper tension, which depends on the size and number of service conductors, the Company should be consulted.

Figures 5 and 6 shows the Company's specifications for overhead service attachments on buildings.

5.02 MOBILE HOME OVERHEAD SERVICE

Figure 4 shows the details of the Company's requirements for an overhead service to a mobile home. When this type of service is requested, the Company will approve the service equipment installation to ensure that it meets the Company's construction requirement.

A mobile home service requires a four-wire conductor cable that has a grounded circuit conductor (neutral), as well as a grounding conductor (ground) installed between the mobile home and its adjacent service equipment. The grounded circuit conductor (neutral) shall be insulated from the grounding conductor and from equipment enclosures and other grounded parts. Neither the frame of the mobile home nor the frame of any distribution panel or an appliance may be connected to the grounded neutral conductor in the mobile home as per the requirements of the latest revision of the NEC. The grounding conductor and the grounded neutral conductor are bonded together only at the service disconnecting means.

SECTION 6
UNDERGROUND SERVICE REQUIREMENTS

6.01 UNDERGROUND SERVICE

Where the installation of an underground service is contemplated, the Customer or his contractor shall consult the Company. Figure 8 shows the Company's specifications for underground service. Notice is hereby given that anytime any underground service is requested of the Company, it is the responsibility of the property owner and/or his or her agents to have any underground facilities marked that are not a part of the one number call system. These would include service water lines, drainage tiles, private lighting systems, sprinkler systems, and geothermal systems. The Company will not be responsible for any damages to unmarked facilities.

6.02 MOBILE HOME UNDERGROUND SERVICE

Figure 9 shows the Company's requirements for underground service to a mobile home using a pressure treated wood post. When service is requested, the Company will approve the service equipment installation, including wood post location, to ensure that it meets the Company's construction requirements.

On this type of installation, the wood post and any other wood accessories used by the customer, shall be pressure treated lumber. Plywood, particleboard or untreated posts are not acceptable. Screws and nails used to fasten the metering equipment to the wood structure shall be the galvanized, stainless or aluminum type.

A mobile home service requires a four-wire conductor cable containing a grounded circuit conductor (neutral), as well as a grounding conductor (ground) installed between the mobile home and its adjacent service equipment in accordance with the NEC. Neither the frame of the mobile home nor the frame of any distribution panel or appliance may be connected to the grounded neutral conductor in the mobile home. The grounding conductor and the grounded neutral conductor are bonded together only on the supply side of the service disconnecting means.

SECTION 7
SERVICE ENTRANCE

7.01 SERVICE ENTRANCE CONDUCTORS

The service entrance cable or raceway, extending from the point of attachment on the structure to the Company-owned metering equipment, shall be run exposed for its entire length except in those cases where it is necessary to pass through over-hanging eaves or projections from the main wall of the building. Where this is necessary, the service entrance cable shall be protected from physical damage in accordance with the NEC. Where conduit is used for protecting the service entrance conductors, there shall be no joints in the length of conduit that is covered by the building construction. In cases acceptable to the Company, and for purposes of obtaining necessary clearance to the ground for the service drop conductors, a rigid metallic conduit will be required and may extend through the roof not more than 36 inches unless guyed. Figure 6 shows one example of this type of construction. The service entrance conductors and conduit will be furnished and installed by the customer or their contractor. Appropriate clearance of overhead electric supply lines shall be maintained in accordance with the NESC at all times.

7.02 COMMERCIAL OR INDUSTRIAL SERVICE ENTRANCE

The service entrance conductor needs of commercial and/or industrial customers are usually more complex than those for residential customers. To assure that such services meet the electrical load requirements, the Company shall be consulted in every case before plans are made or equipment purchased. Service entrance conductors are furnished and installed by the Customer in accordance with the requirements of the NEC. In cases where the Company supplies the service, the requirements of the NESC shall govern.

For those commercial metering installations (below 600 volts) that require current transformer cabinet/enclosure, the customer shall furnish and install the cabinet as specified in Figures 10, or 11. The enclosure shall have provision for Company lock and seal, which is solely for Company access. All enclosures shall be of substantial strength painted galvanized steel NEMA 3R. Local inspecting authorities may require enclosure to be UL listed or equivalent.

For those commercial metering installations that the Company installs bushing type current transformers in Company pad-mount transformers, the customer will install, per Figure 13, the transformer rated meter socket on the side of the building if the Company's pad-mount transformer is within 25 feet. If not the socket shall be installed as per Figure 14. Distances greater than 25 feet must be approved by Meter Services.

Bolted connections shall be made in accordance with Figure 17.

All services from AEP three phase padmount transformers are 4 wire - WYE connected. The neutral conductors are required to be grounded at the Company transformer and at the customer's switchgear. The neutral connection is required to protect against line to ground faults. AEP will not connect a service without the proper neutral connection.

7.03 TRANSFORMER VAULTS

Where the service requires a transformer vault the Customer shall, in every case, consult the Company regarding the location and construction before plans are made. The customer will normally provide the transformer vault(s) to the Company's specifications. If the customer chooses not to provide the vault(s) on his property, then the Company, at its option, will provide these facilities at a suitable location and may require reimbursement as an aid to construction. Such vaults shall comply with the requirements of Article 450 of the NEC and such local and Company requirements as may be in force at the time the installation is made. Any pipe or duct system foreign to the electrical installation shall not enter or pass through a transformer vault. Piping or other facilities provided for vault fire protection or for transformer cooling shall not be considered foreign to the electrical installation.

Access to such vaults shall be limited only to authorized Company personnel. Transformer vaults shall contain only the Company's transformers and their auxiliary and spare equipment. Materials shall not be stored in transformer vaults. Customer's secondary circuit breakers, fuses and switches shall not be installed in the vault.

7.04 GROUNDING

The grounded neutral conductor of the service entrance conductors shall be grounded in accordance with the NEC.

All conduits, metallic tubing and service entrance equipment shall be grounded in accordance with the latest revision of the NEC. The NEC or other local governing code shall be consulted at the time for dimensions, specification of material, and to determine the appropriate method of installing the grounding system (minimum copper or copper clad of 5/8 inch diameter). Customer grounding shall be in accordance with the NEC. In Arkansas, Oklahoma, Louisiana, and Texas, the ground wire shall be connected in the meter socket. The customer shall have a minimum of 2 driven ground rods at least 6 feet apart or customer grounding shall be in accordance with the NEC (National Electric Code) and the local or state authority.

The equipment grounding conductors should not be installed along with the service entrance conductors being installed to our secondary compartment of the Company's padmount transformers.

Communication companies, such as telephone, satellite dish, and cable television, are forbidden to ground their systems to the meter enclosure.

SECTION 8
METERING EQUIPMENT

8.01 METER LOCATION

The meter location is an important consideration to both the Customer and the Company. At a point to be mutually agreed upon, the Customer will provide a suitable location on his premises for the installation of the Company's meter and other equipment necessary for the Company to provide electric service. The service entrance will be so arranged that the Company can measure the Customer's entire electric service with one meter, unless otherwise specified in the Company's rate tariff schedule. Meters for service to residential and commercial Customer shall be installed outdoors. No trees or shrubs shall (NEC (110.26)) be planted in front of the meter. In general, a location shall be such that it will not interfere with traffic, sidewalks or driveways nor obstruct the opening of doors and windows.

No customer or third party equipment is allowed to be attached to the meter, associated metering equipment, nor located inside a meter or current transformer enclosure.

On types of service where outdoor installation is not practical, permission and specifications for indoor metering shall be obtained from the Company. The location shall be readily accessible as near as possible to the point where the service conductors enter the building with the center of the meter being not more than 5 1/2 feet or less than 4 feet from the floor. For multiple meter packs refer to figure 19

In general, meters shall not be installed above the first story level or below the first basement level of a building. Space and clearance requirements for indoor metering installations are the same as for outdoor metering.

Except for mobile home overhead services described in Section 5, meters will be mounted on poles only when no other means of mounting are feasible. When mounted on poles, all devices and methods of mounting will be specified by the Company.

8.02 METER SOCKETS

All meter sockets installed in the Company's service territory shall be of a type approved by the company and meet all requirements in construction and features. In addition, meter sockets purchased by the Customer shall be UL listed and labeled in accordance with National Electrical Code. For approved meter sockets refer to AEP's web site.

In AEP Service Territory, meter sockets used on a commercial Customer shall have a lever operated by-pass device for three phase and single phase (Figures 1,2,3,6 and 8). In AEP West 100 amp meter sockets are not permitted.

Repairs to meter sockets are the responsibility of the Customer. If repairs cannot restore the socket to its standard condition, the Customer will be notified in writing to replace the damaged meter socket within (30) thirty days to avoid a disconnection of service.

The Company may in the interests of safety and efficiency, and at its sole discretion, make minor repairs to meter sockets.

8.03 METER IDENTIFICATION ON MULTI-OCCUPANCY BUILDINGS

On multi-occupancy buildings, all meter sockets (including the inside of the socket and cover), and main service disconnect switches shall be plainly and permanently marked with numbers and/or letters by the owner so as to indicate the building address or apartment address served. The markings must be either engraved phenolic nameplates or adhesive-type labels at least one inch high. Felt tip pens and label maker tape are not considered permanent marking. Service will not be established until marking is complete. The Company will assume no responsibility for inspecting the Customer's equipment, or the accuracy of matching premise location as indicated on the meter socket and main service disconnect switch, but shall have the right to satisfy itself that the service is certified by the local inspection authorities and that it is safe to connect.

8.04 RELOCATION OF SERVICE AND METER EQUIPMENT

Whenever it becomes necessary to relocate the service entrance and meter equipment of an existing installation, the Company shall be consulted before such work is begun. The Company will attempt to minimize interruption of service during the changeover period. Where applicable, additional charges may be necessary for relocation of or changes to power facilities serving the customer especially if the work is performed at the customer's request and for the Customer convenience.

8.05 NO CONNECTIONS AHEAD OF METERING DEVICES

The connection of any Customer owned apparatus or device to the service conductors ahead of the Company owned meters or to the meter socket without Company authorization is expressly forbidden. All 480-volt self-contained meter installations, Figure 15, require the installation of non-fused load break disconnect switch (provided and installed by customer) ahead of the meter socket for the safety of Company's employees. The line side disconnect must be lockable and will be exclusively operated by the Company.

Meter socket/current transformer enclosure/cabinet shall not be used as a junction box.

An exception to this practice is when the authority having jurisdiction will not permit a non-fused disconnect switch.

8.06 SEALS

All enclosures containing un-metered conductors shall be capable of being effectively sealed by the Company.

The breaking of seals by other than authorized persons or tampering with the Company's meters and measuring devices is prohibited. Where the Company detects that the physical facilities of the Company have been tampered with so as to cause an unauthorized use of electric energy, or loss of meter registration, the Company may at

any time without notice, discontinue the supply of electric energy to the Customer and remove its meter and other apparatus until such time as the customer has corrected the condition to the satisfaction of the Company. Such tampering could result in criminal actions depending upon applicable state laws.

8.07 Energy Management

The Company recommends that the Customer who is contemplating the installation of demand or energy control equipment contact the Company prior to installing such equipment.

At the Customer's request, the Company will furnish energy and/or time pulses. The Customer will be charged for the installation costs to supply these pulses.

The customer's or third party load monitoring equipment must be installed only on the load side of the meter. No customer or third party equipment is allowed to be attached to the meter, associated metering equipment, nor located inside a meter or current transformer enclosure.

8.08 Underground Service with Current Transformer Metering

Current transformers will not be mounted in single phase pad mounted transformer due to clearances between phases and ground and safety of Company personnel. A separate Current transformer enclosure is required for single phase pad mounted transformer.

Current transformer can be mounted on the secondary bushings of a three-phase pad mounted transformer if only one metered service is planned and the Operating Company Engineer/Technician confirms that no future services will be fed from the same transformer. Figure 13 and 14, the customer shall install the transformer rated meter socket within 25 feet of the transformer on the building or on a structure adjacent to the transformer.

Current transformers will not be mounted in a three-phase pad mounted transformer if there is to be more than one metered service provided from the transformer. An enclosure must be provided for each separately metered service

8.09 Separately Metered Electric Vehicle Service

A customer can take advantage of Time of Use rate for charging off peak his electric vehicle by installing second meter socket or two gang meter socket. See Figure 22 for details.

SECTION 9
CUSTOMER'S SERVICE EQUIPMENT

9.01 GENERAL

Each Point of Delivery shall have a single disconnecting means which will disconnect all nongrounded customer conductors from the AEP system. This disconnecting means shall be located as close as possible to the Point of Delivery and readily accessible.

9.02 SERVICE EQUIPMENT RATING

The service entrance conductors and the service equipment on residential buildings should have a rating of not less than 100 amperes in AEP East and 200 amperes in AEP West , 120/240 volts, three-wire, or have an electrical rating large enough to accommodate the initial electrical load plus anticipated future needs. The equipment interrupting rating shall exceed the fault availability as determined by the Company as required by the NEC...

All fuses and circuit breakers shall be provided by the Customer and shall be of suitable capacity to protect the wiring installation and utilization equipment connected thereto. Circuit protective devices shall not have a rating higher than the current carrying capacity of the conductors that they protect, except where it is necessary to provide for motor starting currents. "Time delay" or "time lag" fuses or circuit breakers are recommended for protection of branch circuits supplying motor driven devices.

It is not permissible to fuse or switch the grounded neutral conductor of a grounded system. The customer shall consult the latest applicable edition of the NEC and other local codes for applicable requirements.

9.03 Customer Owned Current Transformer Enclosures Specifications

“Contact local Meter Department for approval before installation”

Enclosure Construction

In non-corrosive areas, steel enclosures may be used. Steel enclosures shall be a minimum of G-90 galvanized steel. All edges shall be smooth after forming. The enclosure shall be painted after fabrication. Finish coat shall be minimum of 2 mils thickness and provide a tough, non-chalking weather resistant finish. Construction shall be in accordance with ANSI/UL50. Outdoor enclosures shall be rated Type 3R. The current transformer enclosure shall be fitted with hinged door(s) and sealing shall be provided by a minimum grade 304 stainless steel latch and rivet with provision for 3/8-inch padlock and/or ribbon seal. The inside back of enclosure shall be entirely covered by 3/4 inch treated plywood or suitable mounting brackets must be provided. A grounding lug shall be provided to ground the enclosure.

Protection

Enclosures shall be designed to protect personnel against accidental contact with the electrical devices and guard against unauthorized use of electric service. They cannot be opened without either breaking the seal or visibly damaging the enclosure.

Corrosive Environments

Aluminum or fiber reinforced polyester enclosures must be used in corrosive areas. Corrosive areas are installations within 30 miles of the Texas Gulf of Mexico coast and any other area where high moisture or chemical exposure may exist such as chemical plants or water treatment plants. Enclosure construction shall be in accordance with ANSI/UL50. Outdoor enclosures shall be rated Type 3R. Current transformer enclosure shall be fitted with hinged door(s) and sealing shall be provided by high strength stainless steel latch with provision for 3/8-inch padlock and/or ribbon seal. Exposed hinges and hardware shall be minimum grade 316 stainless steel or better. Other methods of sealing may be acceptable but must be approved by the Company prior to being utilized. The inside back of enclosure shall be entirely covered with back plate and/or suitable mounting brackets must be provided. Enclosure ventilator is required. A grounding lug shall be provided to ground the enclosure.

(EXCEPTIONS TO THIS REQUIREMENT OF ALUMINUM CONSTRUCTION MAYBE BE ALLOWED ON A CASE-BY-CASE SITUATION, DUE TO CURRENT SUPPLY CHAIN ISSUE. PLEASE CONTACT YOUR AEP REPRESENTATIVE FOR MORE INFORMATION.)

Notes: AEP is not responsible for the increased deterioration of components and shorter component life of equipment due to this exception.

9.04 Customer Owned Enclosure

All metering troughs, switchgear, gutters containing un-metered conductors, and metering equipment must have prefabricated provisions for sealing by AEP Meter personnel. The Customer or Electrician shall contact AEP to obtain access for inspection.

Nothing shall be attached to the meter, meter enclosure, current transformer enclosure, or the associated metering equipment that would inhibit AEP personnel from reading the meter, changing or testing the metering equipment, performing routine maintenance, etc. Customer owned equipment shall only be installed on the load side of any meter.

SECTION 10
CUSTOMER'S UTILIZATION EQUIPMENT

10.01 GENERAL

All customer utilization equipment must be designed for operation on alternating current at a nominal frequency of 60 Hertz.

Customers installing power factor correction apparatus shall consult the Company to ensure that such apparatus will have suitable characteristics to accomplish the desired results.

In general, the Company shall be notified before any significant new load is added to ensure that adequate capacity is available. This includes air conditioning and heat pumps.

10.02 VOLTAGE FLUCTUATION AND FLICKER LIMITS

Welders, X-ray equipment, motors, power electronic equipment or other equipment, the load of which is of such a character as to cause major voltage fluctuations, voltage flicker, and significant wave form distortion or system overloads, are subject to individual consideration and approval by the Company. Where such equipment is used, the customer may be required, at his expense, to install corrective devices or apparatus, or may be requested to limit the operation of this equipment, to prevent disturbances caused by such equipment from affecting service to other customers. Objectionable fluctuations result from the combination of the magnitude of the fluctuation and the frequency of occurrence of the fluctuations. Other disturbances may include equipment miss-operation and possible damage to other customers' equipment or process.

In order to avoid misunderstanding and inconvenience, the Customer or his electrical contractor should consult the Company before purchasing motors or any other devices of the character mentioned above. There are certain Public Service Commission requirements and/or industry standards that may be required to be met to alleviate possible adverse effects to other services or equipment. Even in cases where the Company gives prior permission, it cannot give absolute assurance that the installation will not later require changes in order to maintain proper service, if either the information provided earlier was not accurate or changes occurred in customer load.

10.03 CURRENT/VOLTAGE HARMONIC DISTORTION LIMITS

For all customers, whose delivery voltage is less than 69 KV (IEEE standard 519), the following limits apply with regard to harmonic distortion that can occur from customer usage of non-linear loads such as variable speed motors, arc furnaces, rectifiers, low wattage electric lights, and other electronic loads. For Current Distortion, the Total Demand Distortion (TDD) limit can range from 5% to 20%, for voltages from 120 volts to 69 kV, (of the maximum yearly metered demand) depending on the short circuit strength of the electrical system in relation to the Customer's load. For voltage, the Total Harmonic Distortion (THD) limit is **8%** for delivery voltages less than 1000 volts and between 1000 volts and 69 kV is 5%. Individual harmonic component levels for both current and voltage are required to be lower than the above stated limits. These

limitations are located at the point of common coupling where the Customer and the Company systems interface.

It is recommended that the customer consult the Company if these total limits are exceeded or require assistance in determining the acceptable harmonic levels and on recommendations for mitigation of unacceptable harmonic levels contributed from customer load.

10.04 PROTECTION FOR VOLTAGE SENSITIVE EQUIPMENT

The Customer shall provide and maintain suitable protective devices on his equipment to prevent any loss, injury or damage that might result from single phasing conditions or any other fluctuation or irregularity in the supply of energy.

To prevent possible equipment failure and data loss, computers, programmable controllers and other voltage sensitive digital devices should be protected against abnormal system conditions by using commercially available AC line conditioners, surge suppressors or uninterruptible power supplies to provide a constant power source to these devices.

10.05 MOTORS

All motor installations should be provided with devices that will protect the motor and motor circuit against overload, and short circuit. In addition, three-phase motors should be protected against single-phase operation. All motors that cannot be safely subjected to full voltage at starting, and are not equipped with automatic restarting means, should be provided with a device to ensure that, upon failure of supply voltage, the motor will be disconnected from the line or the starting device returns to the "off" position. To prevent unnecessary shutdowns, it is recommended that this "no voltage release" device be equipped with a time delay feature so that it will not function until the motor speed drops to a point where it will not pick up on a restoration of service.

All equipment and motor frames are to be grounded using a grounding conductor according to the NEC or be double insulated.

For the requirements for motor circuits and controllers, refer to the NEC. Wire sizing and limitations can be found in the NEC book. Always consult the motor manufacturer before making any modifications to the motor's protection or starting equipment.

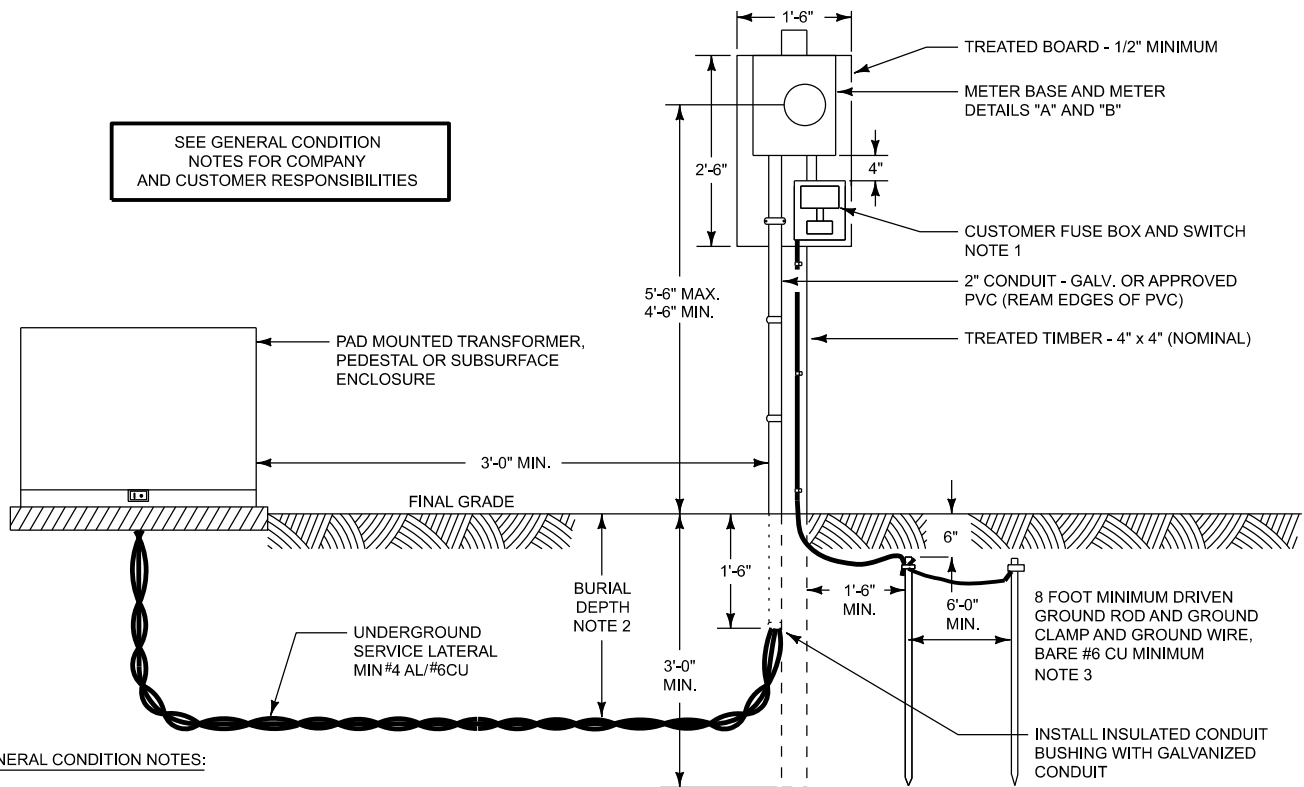
10.06 EMERGENCY STAND-BY GENERATOR

The Company shall be notified of the Customer's intention to install an Emergency Stand-By Power System. In such cases, Company investigation shall ensure the proper procedures to eliminate any back feed to the Company's power system that may result in endangering public and/or Company personnel and damage to Company or Customer property. The transfer equipment installed with emergency standby generators shall be installed in accordance with the NEC.

10.07 PORTABLE GENERATOR

A positive method of isolating Company power circuits from the generator circuits must be provided. The following hazards exist which require that different power sources be isolated:

1. **DANGER!** Electrocution of Company personnel can result if the generator circuit is not properly isolated from the electric utility power circuit.
2. If generator and utility power are not isolated from each other and utility power is restored while the generator is supplying power, utility power can back feed through the generator. Damage to the generator and a possible electrical fire can then occur.
3. Portable generators must be sized and connected to the load in accordance with all applicable codes and the manufacture's recommendation.



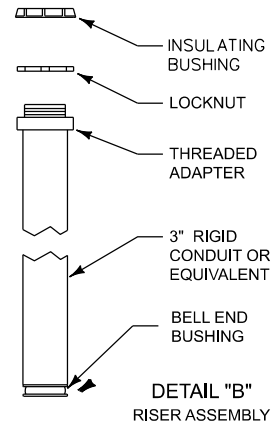
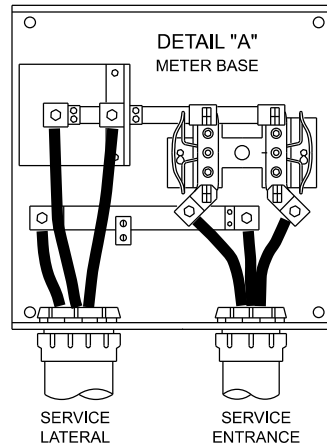
GENERAL CONDITION NOTES:

THE COMPANY WILL BE RESPONSIBLE FOR:

- (a) SPECIFYING THE LOCATION FOR THE TEMPORARY POST STRUCTURE AND GROUND ROD. THE TEMPORARY POST SHALL NOT BE LOCATED IN LINE WITH THE PROPOSED PERMANENT SERVICE.
- (b) AEP IS TO DESIGNATE THE LOCATION FOR THE TRENCH FOR THE TEMPORARY SERVICE INSTALLATION AND THE DISTANCE THAT THE TRENCH IS TO TERMINATE FROM EITHER THE TRANSFORMER OR SECONDARY PEDESTAL.
- (c) COMPLETING THE TRENCHING TO EITHER THE TRANSFORMER OR THE SECONDARY PEDESTAL; MAKING THE CONNECTIONS TO THE UNDERGROUND SERVICE LATERAL TO EITHER THE TRANSFORMER OR SECONDARY PEDESTAL.
- (d) PROVIDING THE METER BASE TO THE CUSTOMER WHERE REQUIRED.
- (e) INSTALLING AND REMOVING THE METER.
- (f) DISCONNECTING THE CONNECTIONS IN THE TRANSFORMER OR SECONDARY PEDESTAL AND REMOVING THE METER.

THE CUSTOMER WILL BE RESPONSIBLE FOR:

- (a) PROVIDING AND INSTALLING THE TEMPORARY STRUCTURE; FUSE BOX AND SWITCH; CONDUIT; UNDERGROUND SERVICE LATERAL AND CABLE TERMINAL LUGS (IF NEEDED); GROUND ROD; GROUND CLAMP; AND GROUND WIRE. SERVICE LATERAL PROVIDED BY THE COMPANY WHERE REQUIRED BY GOVERNMENTAL REGULATION.
- (b) CUSTOMER TO TRENCH THE DESIGNATED DISTANCE BETWEEN THE TEMPORARY POST AND THE COMPANY'S TRANSFORMER OR PEDESTAL. CUSTOMER TO DETERMINE LOCATION OF ALL UTILITIES BEFORE TRENCHING.
- (c) PROVIDING WEATHERPROOF (OR COVERED) SERVICE ENTRANCE EQUIPMENT (UL LISTED WITH FUSED DISCONNECT SWITCH OR CIRCUIT BREAKER - 3 WIRE). EQUIPMENT SHALL BE SIZED AS REQUIRED AND MOUNTED ON A BOARD BASE.
- (d) SECURELY MOUNTING THE METER BASE IN A PLUMB POSITION.
- (e) MAKING ALL CONNECTIONS IN THE METER SOCKET.
- (f) PROVIDING THE INSPECTION IF NECESSARY. INSTALLATION OF EQUIPMENT TO BE IN ACCORDANCE WITH COMPANY STANDARDS AND / OR LOCAL ORDINANCES OR CODES.
- (g) THE REMOVAL OF EQUIPMENT AFTER BEING DISCONNECTED.



GENERAL CONSTRUCTION NOTES:

1. CUSTOMER FUSE BOX AND SWITCH MAY REQUIRE CURRENT LIMITING FUSES TO COMPLY WITH LOCAL CODES.
2. BURIAL DEPTH IS THE DISTANCE BETWEEN FINAL GRADE AND THE TOP OF THE BURIED CABLE OR CONDUIT. THE COMPANY SHALL SPECIFY THE REQUIRED BURIAL DEPTH TO CONFORM TO LOCAL REQUIREMENTS. THE BURIAL DEPTH SHALL NOT BE LESS THAN 2' - 6". ARKANSAS, OKLAHOMA, LOUISIANA, AND TEXAS SHALL NOT BE LESS THAN 3'.
3. CUSTOMER GROUNDING SHALL BE IN ACCORDANCE WITH NEC. IN ARKANSAS, OKLAHOMA, LOUISIANA AND TEXAS, THE GROUND WIRE SHALL BE CONNECTED IN THE METER SOCKET. THE CUSTOMER SHALL HAVE A MINIMUM OF 2 DRIVEN GROUND RODS AT LEAST 6 FEET APART OR CUSTOMER GROUNDING SHALL BE IN ACCORDANCE WITH THE NATIONAL ELECTRICAL CODE AND THE LOCAL OR STATE AUTHORITY.
4. METER SOCKET USED ON COMMERCIAL CUSTOMER SHALL HAVE A LEVER OPERATED JAW RELEASE BY-PASS FOR THREE PHASE AND SINGLE PHASE.

**TEMPORARY SERVICE INSTALLATION FROM EXISTING URD SECONDARY
FIGURE 1**

SEE GENERAL CONDITION NOTES FOR COMPANY AND CUSTOMER RESPONSIBILITIES

GENERAL CONSTRUCTION NOTES:

1. SERVICE ENTRANCE CONDUCTORS SHALL PROJECT FROM WEATHERHEAD A MINIMUM OF 18 INCHES.
2. USE 5/64" HOT DIPPED GALVANIZED LAG SCREWS OR MACHINE BOLTS TO SECURE SUPPORT STRUCTURE. IN CORROSIVE AREAS SUBSTITUTE WITH STAINLESS STEEL HARDWARE.
3. CUSTOMER FUSE BOX AND SWITCH MAY REQUIRE CURRENT LIMITING FUSES TO COMPLY WITH LOCAL CODES.
4. BURIAL DEPTH IS THE DISTANCE BETWEEN FINAL GRADE AND THE TOP OF THE BURIED CABLE OR CONDUIT. THE COMPANY SHALL SPECIFY THE REQUIRED BURIAL DEPTH TO CONFORM TO LOCAL REQUIREMENTS. THE BURIAL DEPTH SHALL NOT BE LESS THAN 2' - 6". ARKANSAS, OKLAHOMA, LOUISIANA, AND TEXAS SHALL NOT BE LESS THAN 3'.
5. CUSTOMER GROUNDING SHALL BE IN ACCORDANCE WITH NEC. IN ARKANSAS, OKLAHOMA, LOUISIANA AND TEXAS, THE GROUND WIRE SHALL BE CONNECTED IN THE METER SOCKET. THE CUSTOMER SHALL HAVE A MINIMUM OF 2 DRIVEN GROUND RODS AT LEAST 6 FEET APART OR CUSTOMER GROUNDING SHALL BE IN ACCORDANCE WITH THE NATIONAL ELECTRICAL CODE AND THE LOCAL OR STATE AUTHORITY.

TEMPORARY SERVICE DROP STRUCTURE TO BE PRESSURE TREATED WITH PRESERVATIVE

AEP TEXAS, I&M, KYPCo, APCo, AEP OHIO

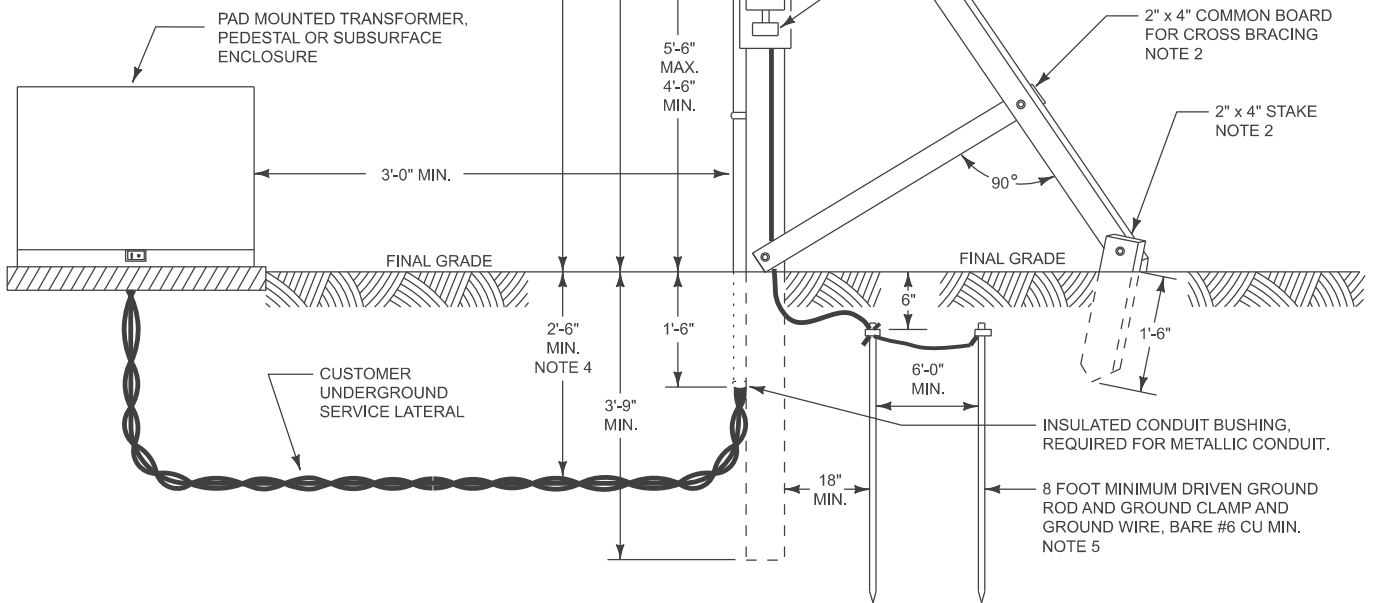
SERVICE DROPS UP TO 50 FEET
ONE 4X4" (NOM.) OR TWO 2X4" (NOM.)
MINIMUM TIMBER

SERVICE DROPS UP TO 100 FEET
TWO 2X6" (NOM.) TIMBERS OR PINE POLE
WITH 5" MINIMUM DIAMETER ROUND TOP

PSO AND SWEPCo (INCLUDING SWEPCo TEXAS)

PINE POLE WITH 5" MINIMUM DIAMETER
ROUND TOP

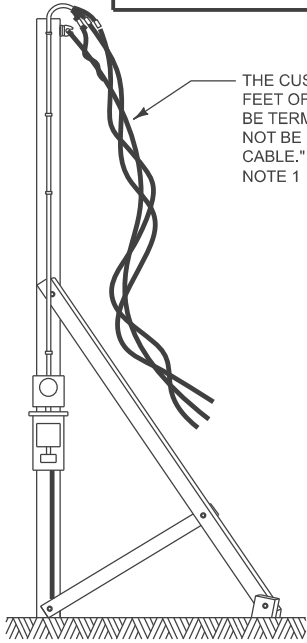
PAD MOUNTED TRANSFORMER,
PEDESTAL OR SUBSURFACE
ENCLOSURE



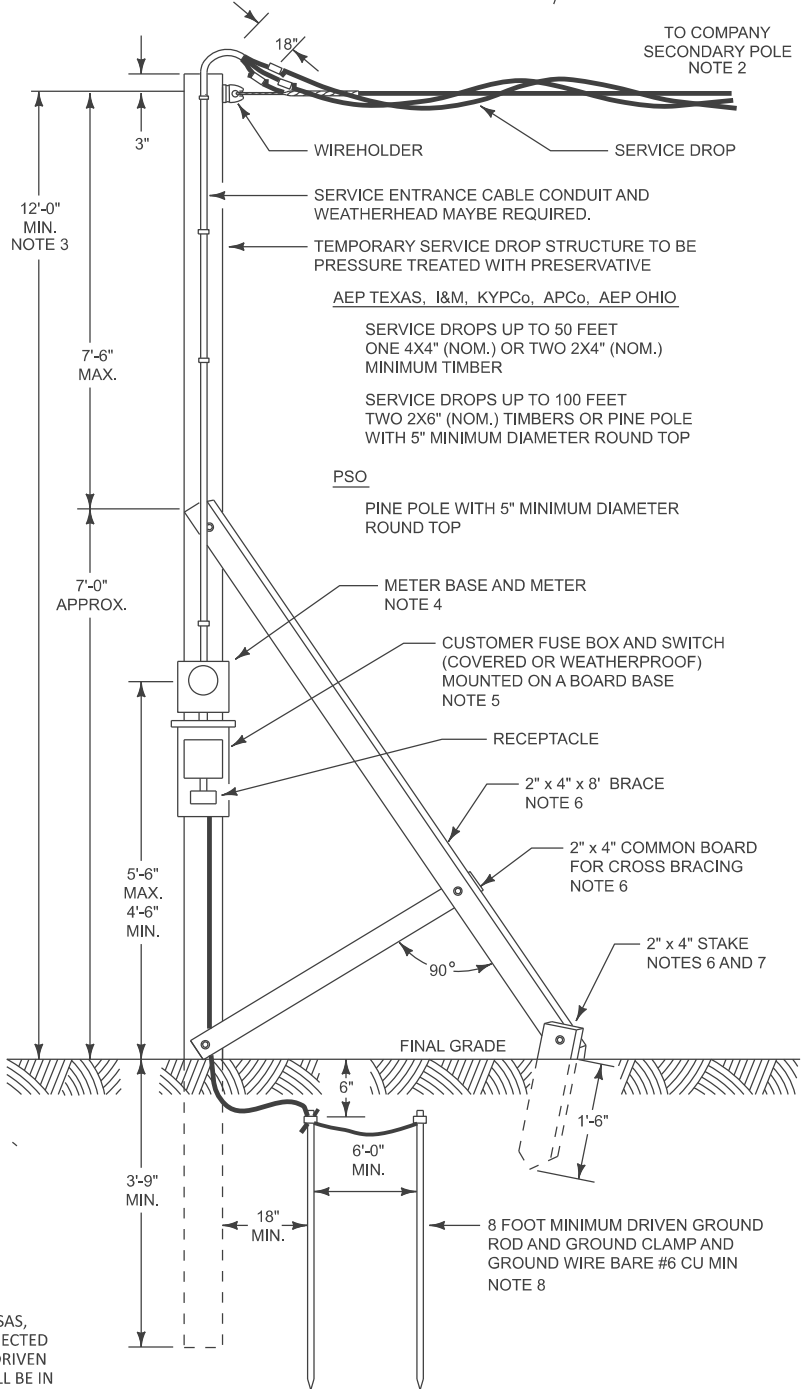
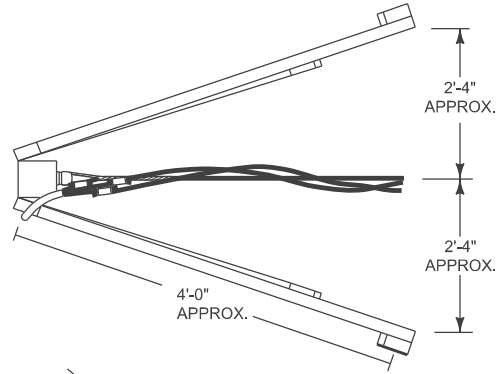
ALTERNATE TEMPORARY SERVICE INSTALLATION FROM EXISTING URD SECONDARY

FIGURE 2

SEE GENERAL CONDITION NOTES FOR COMPANY AND CUSTOMER RESPONSIBILITIES



THE CUSTOMER IS TO PROVIDE ADDITIONAL 15 FEET OF #2 AL TRIPLEX CABLE. CABLE MUST BE TERMINATED INTO A WIREHOLDER AND MAY NOT BE USED AS THE SERVICE ENTRANCE CABLE." NOTE 1



GENERAL CONDITION NOTES:

THE COMPANY WILL BE RESPONSIBLE FOR:

- (a) PROVIDING AND INSTALLING OVERHEAD SERVICE DROP (NO.2 OR NO.4 TRIPLEX SERVICE DROP).
- (b) PROVIDING THE METER BASE TO THE CUSTOMER WHERE REQUIRED.
- (c) INSTALLING AND REMOVING THE METER.

THE CUSTOMER WILL BE RESPONSIBLE FOR:

- (a) PROVIDING AND INSTALLING THE COMPLETED TEMPORARY STRUCTURE TO WHICH SERVICE DROP WILL BE ATTACHED. INSTALLATION MUST MEET THE COMPANY'S REQUIREMENTS TO BE CONNECTED. SERVICE ENTRANCE CONDUCTORS SHALL PROJECT FROM WEATHERHEAD A MINIMUM OF 18 INCHES.
- (b) A TOOL SHED (IF AVAILABLE) OR OTHER TYPE OF FIXED SUPPORT MAY BE USED AS A TEMPORARY SERVICE DROP ATTACHMENT IF SUCH SUPPORT PROVIDES EQUAL STRENGTH AND PROPER CLEARANCES.

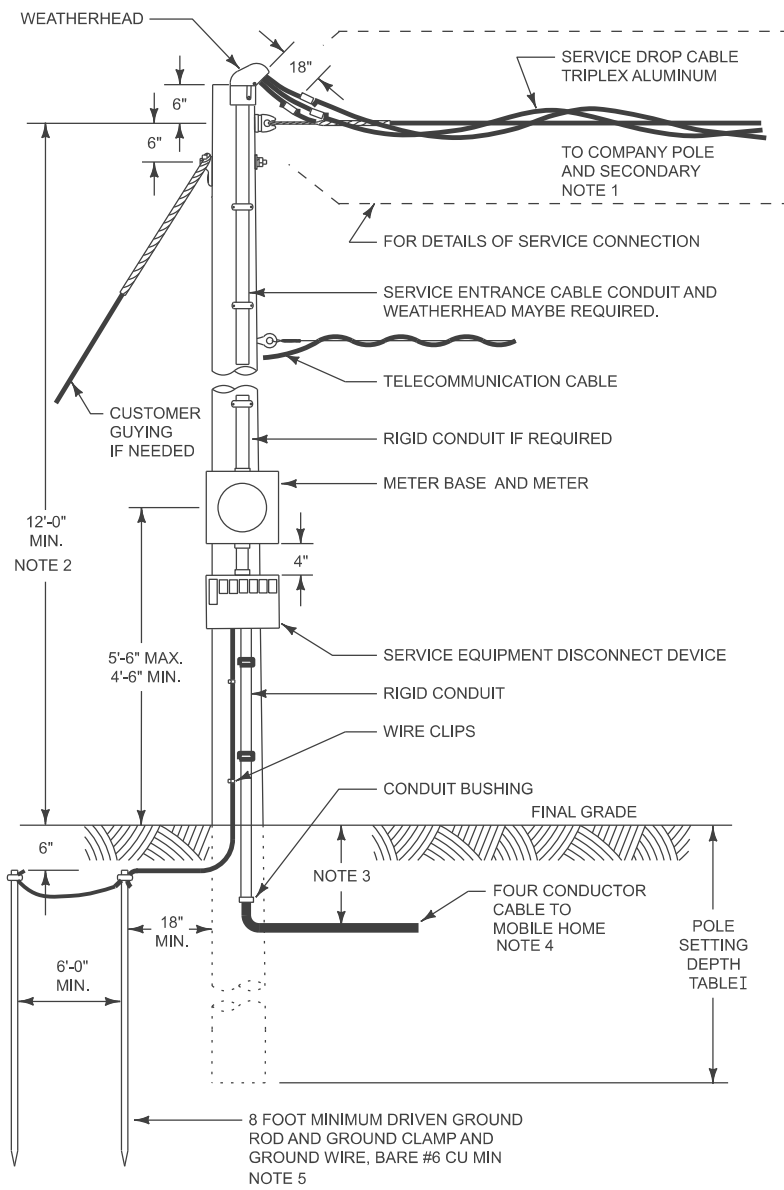
GENERAL CONSTRUCTION NOTES:

1. IN KENTUCKY, TENNESSEE, VIRGINIA AND WEST VIRGINIA THE ADDITIONAL TRIPLEX CABLE IS NOT REQUIRED IF THE TEMPORARY SERVICE DROP STRUCTURE IS TRUCK ACCESSIBLE.
2. TEMPORARY SERVICE DROPS NOT TO EXCEED 100 FEET.
3. THE SERVICE ATTACHMENT SHALL BE INSTALLED AT A HEIGHT THAT MAINTAINS PROPER CLEARANCES FOR SERVICE DROP CONDUCTORS, REFER TO FIGURE 5.
4. ARKANSAS, OKLAHOMA, LOUISIANA, AND TEXAS: METER SOCKET USED ON COMMERCIAL CUSTOMER SHALL HAVE A LEVER OPERATED BY-PASS FOR THREE PHASE AND SINGLE PHASE.
5. CUSTOMER FUSE BOX AND SWITCH MAY REQUIRE CURRENT LIMITING FUSES TO COMPLY WITH LOCAL CODES.
6. USE 5/8" x 4" HOT DIPPED GALVANIZED LAG SCREWS OR MACHINE BOLTS TO SECURE SUPPORT STRUCTURE. IN CORROSIVE AREAS SUBSTITUTE WITH STAINLESS STEEL HARDWARE.
7. A 2"x4" STAKE IS RECOMMENDED BUT DEPENDENT ON SOIL CONDITIONS OTHER MATERIAL SUCH AS CONCRETE FORM STAKES MAY BE USED TO SECURE THE SUPPORT STRUCTURE.
8. CUSTOMER GROUNDING SHALL BE IN ACCORDANCE WITH NEC. IN ARKANSAS, OKLAHOMA, LOUISIANA AND TEXAS, THE GROUND WIRE SHALL BE CONNECTED IN THE METER SOCKET. THE CUSTOMER SHALL HAVE A MINIMUM OF 2 DRIVEN GROUND RODS AT LEAST 6 FEET APART OR CUSTOMER GROUNDING SHALL BE IN ACCORDANCE WITH THE NATIONAL ELECTRICAL CODE AND THE LOCAL OR STATE AUTHORITY.

TEMPORARY SERVICE INSTALLATION FROM EXISTING OVERHEAD SECONDARY

FIGURE 3

SEE GENERAL CONDITION NOTES FOR POWER COMPANY AND CUSTOMER RESPONSIBILITIES



GENERAL CONDITION NOTES:

- THE COMPANY WILL BE RESPONSIBLE FOR:
- (a) SPECIFYING THE SERVICE POLE LOCATION, AND SERVICE DROP ATTACHMENT HEIGHT. NOTE: (NEC) RECOMMENDS THAT THE SERVICE EQUIPMENT BE "IN SIGHT FROM" AND WITHIN 30' OF THE MOBILE HOME.
 - (b) PROVIDING AND INSTALLING THE OVERHEAD SERVICE DROP.
 - (c) PROVIDING THE METER BASE TO CUSTOMER WHERE REQUIRED.
 - (d) INSTALLING AND REMOVING THE METER.

THE CUSTOMER WILL BE RESPONSIBLE FOR:

- (a) PROVIDING AN ADEQUATE GROUND TO THE FRAME OF THE SERVICE EQUIPMENT DISCONNECT DEVICE. GROUND IN ACCORDANCE WITH NEC ARTICLE 250 AND LOCAL CODES. GROUNDING IS TYPICALLY PROVIDED BY 8'-0" DRIVEN GROUND ROD(S) OR BY A METALLIC WATER PIPE BONDED TO 8'-0" DRIVEN GROUND ROD(S). IF A METALLIC WATER PIPING SYSTEM IS PRESENT, IT MUST BE BONDED TO THE 8'-0" DRIVEN GROUND ROD(S).
- (b) PROVIDING AND SECURELY INSTALLING THE SERVICE ENTRANCE CABLE, RIGID CONDUIT AND WEATHER HEAD AS REQUIRED BY LOCAL CODES. NON-METALLIC CONDUIT PERMITTED IF INSTALLED IN ACCORDANCE WITH NEC AND APPROVED BY LOCAL INSPECTION AUTHORITY. SERVICE ENTRANCE CONDUCTORS SHALL PROJECT FROM WEATHERHEAD A MINIMUM OF 18 INCHES. ONLY POWER SERVICE CONDUCTORS ARE ALLOWED TO CONTACT THE SERVICE MAST, NEC (230-28).
- (c) PROVIDING AND INSTALLING SERVICE EQUIPMENT DISCONNECT DEVICE. TYPICAL CONFIGURATIONS SHOWN (OTHER CONFIGURATIONS AVAILABLE). THE DISCONNECT DEVICE IS TO HAVE OVERCURRENT PROTECTION AND TO BE IN A WEATHERPROOF ENCLOSURE. CUSTOMER TO SELECT U.L. LISTED EQUIPMENT BEST SUITED TO THEIR NEEDS.
- (d) SECURELY MOUNT THE METER BASE IN A PLUMB POSITION. METER MUST FACE STREET OR ACCESS WALKWAY.
- (e) PROVIDING AND SECURELY INSTALLING THE SERVICE POLE AND GUYING (IF NEEDED). SERVICE POLE IS TO BE TREATED WITH AN EPA REGISTERED PRESERVATIVE. POLE SETTING DEPTH TO BE IN ACCORDANCE WITH TABLE I.

GENERAL CONSTRUCTION NOTES:

- 1. THIS INSTALLATION IS FOR A SINGLE MOBILE HOME ONLY, FOR MOBILE HOMES IN PARKS, REFER TO FIGURE 9.
- 2. THE SERVICE ATTACHMENT SHALL BE INSTALLED AT A HEIGHT THAT MAINTAINS PROPER CLEARANCES FOR SERVICE DROP CONDUCTORS, REFER TO FIGURE 5.
- 3. BURIAL DEPTH TO COMPLY WITH LOCAL CODES. 2'-0" MINIMUM IS CONSIDERED ADEQUATE BY NEC, ARTICLE 300-5.
- 4. A GROUNDING AS WELL AS A GROUNDED CONDUCTOR MUST EXTEND BETWEEN THE MOBILE HOME AND ITS ADJACENT SERVICE EQUIPMENT. NEITHER THE FRAME OF THE MOBILE HOME NOR THE FRAME OF ANY DISTRIBUTION PANEL OR APPLIANCE MAY BE CONNECTED TO THE NEUTRAL (GROUNDED) CONDUCTOR IN THE MOBILE HOME. THE GROUNDING AND GROUNDED CONDUCTOR ARE BONDED TOGETHER ONLY ON THE SUPPLY SIDE OF THE SERVICE DISCONNECT DEVICE. REFER TO ARTICLE 550 OF NEC GROUNDING.
- 5. CUSTOMER GROUNDING SHALL BE IN ACCORDANCE WITH NEC. IN ARKANSAS, OKLAHOMA, LOUISIANA AND TEXAS, THE GROUND WIRE SHALL BE CONNECTED IN THE METER SOCKET. THE CUSTOMER SHALL HAVE A MINIMUM OF 2 DRIVEN GROUND RODS AT LEAST 6 FEET APART OR CUSTOMER GROUNDING SHALL BE IN ACCORDANCE WITH THE NATIONAL ELECTRICAL CODE AND THE LOCAL OR STATE AUTHORITY.

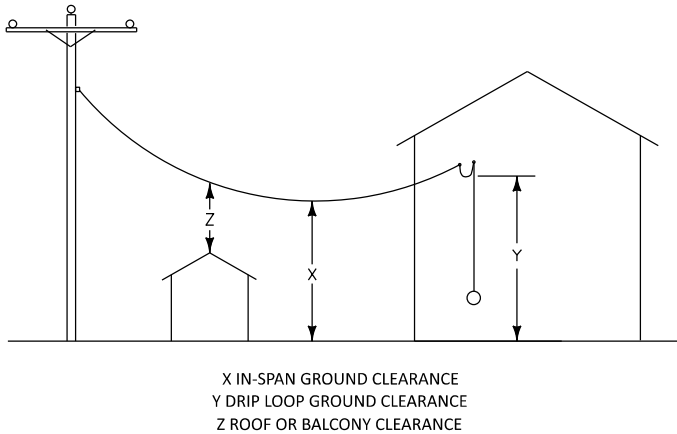
TABLE I
POLE DIMENSIONS AND SETTING DEPTH

| LENGTH OF POLE (FEET) | MINIMUM SETTING DEPTH (FEET) | MINIMUM POLE CIRCUMFERENCE (INCHES) | MINIMUM POLE DIAMETER (INCHES) |
|-----------------------|------------------------------|-------------------------------------|--------------------------------|
| | | AT TOP 15" | AT TOP 4 3/4" |
| | | AT GROUND LINE | AT GROUND LINE |
| 18' | 4'-0" | 17 1/2" | 5 1/2" |
| 20' | 4'-6" | 18 1/2" | 6" |
| 22' | 4'-6" | 19 1/2" | 6 1/2" |
| 25' | 5'-0" | 20" | 6 1/2" |

SINGLE MOBILE HOME OVERHEAD SERVICE

FIGURE 4

SERVICE DROP CABLE CLEARANCES



| NATURE OF SURFACE UNDERNEATH SERVICE DROP CABLE | VERTICAL CLEARANCE ABOVE SURFACE FOR SERVICE DROP CABLE (FEET) NOTES 1 AND 2 |
|---|--|
| TRACK RAILS OF RAILROADS | 24.0 |
| ROADS, STREETS, DRIVEWAYS, PARKING LOTS, ALLEYS AND OTHER AREAS SUBJECT TO TRUCK TRAFFIC NOTE 3 | 16.0 |
| DRIVEWAYS, PARKING LOTS, AND ALLEYS | 16.0 NOTE 4 |
| SPACES AND WAYS SUBJECT TO PEDESTRIANS OR RESTRICTED TRAFFIC ONLY NOTE 5 | 12.0 NOTE 6 |
| ROOFS OR BALCONIES | 11.0 NOTE 7 |
| SWIMMING POOLS | 22.5 NOTE 8 |

NOTES:

- ALL CLEARANCES LISTED ARE SPECIFIED BY THE NESC. THESE ARE MINIMUM CLEARANCES WHICH MUST BE MET FOR THE SAG CONDITION WHICH CAN OCCUR EITHER AT: MAXIMUM OPERATING CONDUCTOR TEMPERATURE OR, MAXIMUM LOADING AT 32 F, NESC ICE, FINAL SAG.

AN INCREASE IN DESIGN CLEARANCE AT TIME OF INSTALLATION IS RECOGNIZED AND ACCEPTABLE TO ACCOUNT FOR FUTURE RESURFACING OR GRADE CHANGES. A 12 INCH INCREASE IS TYPICAL IN LIEU OF ANY SPECIFIC INFORMATION. IT IS RECOMMENDED THAT THIS FACTOR SHOULD BE CONSIDERED AND, AS APPROPRIATE, INCLUDED WHEN PLANNING SERVICE INSTALLATIONS.

A POINT OF CLARIFICATION IS NECESSARY REGARDING WHAT CAN APPEAR TO BE A 2 FOOT INCONSISTENCY BETWEEN THE NESC AND THE NEC FOR CLEARANCES OVER "ROADS, STREETS, DRIVEWAYS, PARKING LOTS, ALLEYS AND OTHER AREAS SUBJECT TO TRUCK TRAFFIC" (NESC - 16 FEET VS. NEC - 18 FEET). NEC CLEARANCES ARE SPECIFIED (WITH LESS SAG) AT A CONDUCTOR TEMPERATURE OF 60 F., NO WIND, WITH FINAL UNLOADED SAG IN THE CONDUCTOR. THE 2 FOOT DIFFERENCE IS PARTIALLY ATTRIBUTED TO COMPARATIVELY LARGER SAG BY NESC SPECIFICATIONS. ADDITIONAL ALLOWANCES MADE FOR RESURFACING, ETC. IN APPLICATION OF THE NESC RULE WILL ACCOUNT FOR THE REST OF THE 2 FOOT DIFFERENCE. A SERVICE INSTALLED TO EITHER SPECIFICATION WOULD BE VERY SIMILAR WHEN ANALYZED BY THE OTHER. THEREFORE, THERE IS NO PRACTICAL INCONSISTENCY BETWEEN THE TWO CODES IN THIS SITUATION.
- IN ADDITION TO PROPER DESIGN FOR GROUND/SURFACE CLEARANCES, BE CAREFUL TO PROVIDE CLEARANCES FROM BUILDING OPENINGS, WINDOWS, DOORS ETC. (TYPICALLY 3'-0"). PROVIDE A MINIMUM CLEARANCE OF THREE (3) INCHES FROM DOWNSPOUTS AND EAVES FOR SERVICE CONDUCTORS 0 TO 750 VOLT. FOR CONDUCTORS MEETING NESC RULE 230C1, 230C2 OR 230C3 THIS CLEARANCE MAY BE REDUCED TO ONE (1) INCH. ROUTE SERVICES SO THAT RAISED PATIO/DECK AREAS CAN BE AVOIDED IF POSSIBLE. AS AN ALTERNATIVE, CONSIDER PROVIDING ADDITIONAL CLEARANCE, WHEN FEASIBLE.
- TRUCKS ARE DEFINED AS ANY VEHICLE EXCEEDING 8 FEET IN HEIGHT. AREAS NOT SUBJECT TO TRUCK TRAFFIC ARE AREAS WHERE TRUCK TRAFFIC IS NOT NORMALLY ENCOUNTERED NOR REASONABLY ANTICIPATED.

- FOR RESIDENTIAL DRIVEWAYS ONLY, WHEN A BUILDING DOES NOT HAVE SUFFICIENT HEIGHT TO ALLOW A SERVICE ATTACHMENT LOCATION WHICH WILL PROVIDE 15 FEET OF CLEARANCE, THE CLEARANCES MAY BE REDUCED TO:

SERVICES 277 VLG:

IN-SPAN GROUND CLEARANCE - 12.5 FEET
DRIP LOOP GROUND CLEARANCE - 10.5 FEET

SERVICES 120 VLG:

IN-SPAN GROUND CLEARANCE - 12.0 FEET
DRIP LOOP GROUND CLEARANCE - 10.0 FEET

- SPACES AND WAYS SUBJECT TO PEDESTRIAN OR RESTRICTED TRAFFIC ONLY ARE THOSE AREAS WHERE RIDERS ON HORSEBACK, VEHICLES OR OTHER MOBILE UNITS EXCEEDING 8 FEET IN HEIGHT, ARE PROHIBITED BY REGULATION OR PERMANENT TERRAIN CONFIGURATIONS OR ARE OTHERWISE NOT NORMALLY ENCOUNTERED NOR REASONABLY ANTICIPATED.
- FOR RESIDENTIAL DRIVEWAYS ONLY, WHEN A BUILDING DOES NOT HAVE SUFFICIENT HEIGHT TO ALLOW A SERVICE ATTACHMENT LOCATION WHICH WILL PROVIDE 12 FEET OF CLEARANCE, THE CLEARANCE MAY BE REDUCED TO:

SERVICES 277 VLG:

IN-SPAN GROUND CLEARANCE - 10.5 FEET
DRIP LOOP GROUND CLEARANCE - " "

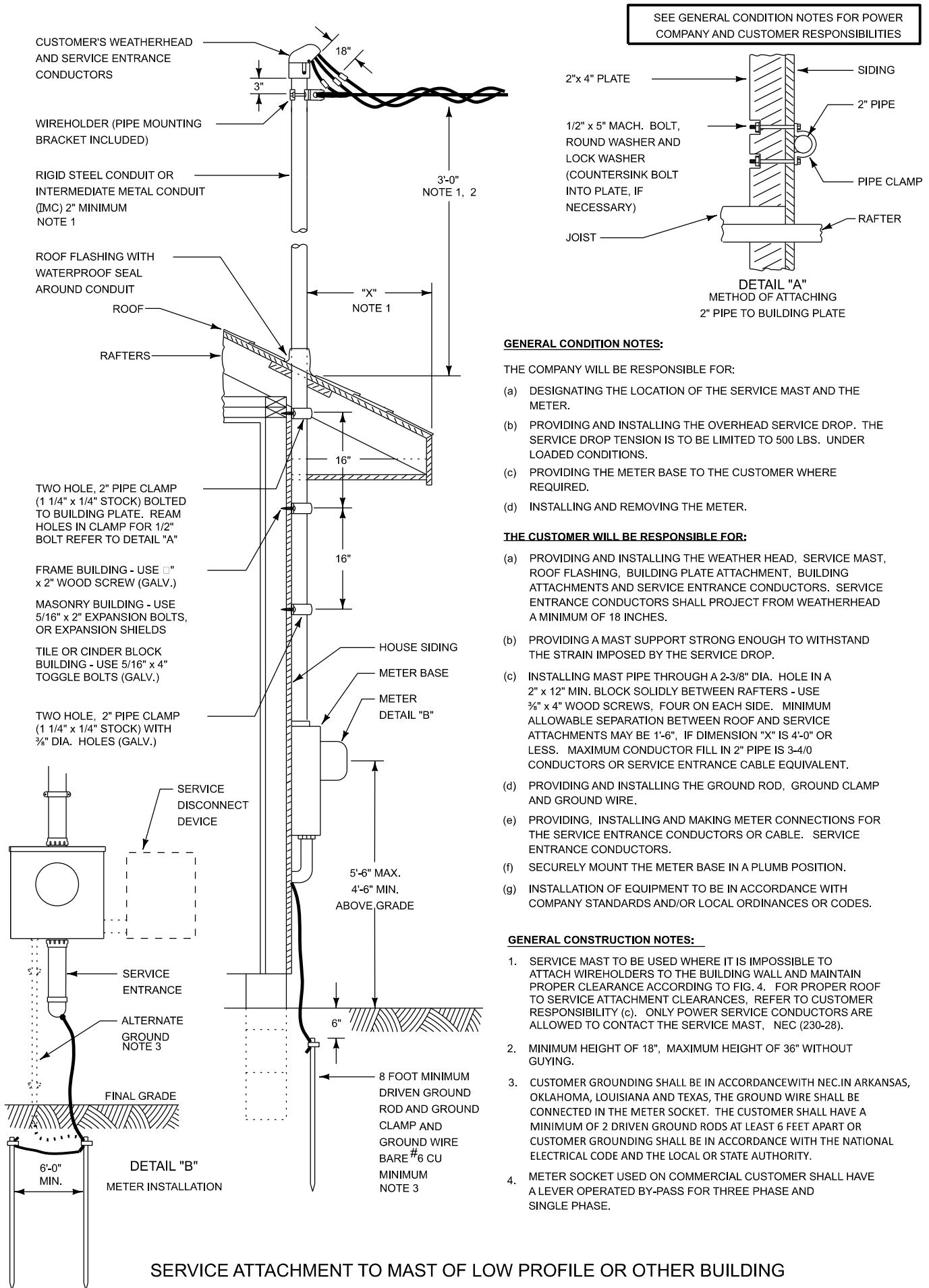
SERVICES 120 VLG:

IN-SPAN GROUND CLEARANCE - 10.0 FEET
DRIP LOOP GROUND CLEARANCE - " "

- WHERE ROOFS OR BALCONIES ARE NOT READILY ACCESSIBLE AND WHERE VOLTAGE BETWEEN SERVICE CONDUCTORS DOES NOT EXCEED 300 VOLTS OR WHERE CABLES MEETING NESC RULE 230C2 OR 230C3 AND VOLTAGE DOES NOT EXCEED 750 VOLTS, CLEARANCE MAY BE REDUCED TO 3.5 FEET.
- CLEARANCE IN ANY DIRECTION FROM THE POOL WATER LEVEL, EDGE OF POOL, BASE OF DIVING PLATFORM OR ANCHORED RAFT. CLEARANCE IN ANY DIRECTION TO A DIVING PLATFORM IS 14 FEET.

SERVICE DROP CABLE CLEARANCES FOR DUPLEX, TRIPLEX AND QUADRUPLE X CONDUCTORS

FIGURE 5



SEE GENERAL CONDITION NOTES FOR POWER COMPANY AND CUSTOMER RESPONSIBILITIES

GENERAL CONDITION NOTES:

THE COMPANY WILL BE RESPONSIBLE FOR:

- (a) DESIGNATING THE LOCATION OF THE SERVICE MAST AND THE METER.
- (b) PROVIDING AND INSTALLING THE OVERHEAD SERVICE DROP. THE SERVICE DROP TENSION IS TO BE LIMITED TO 500 LBS. UNDER LOADED CONDITIONS.
- (c) PROVIDING THE METER BASE TO THE CUSTOMER WHERE REQUIRED.
- (d) INSTALLING AND REMOVING THE METER.

THE CUSTOMER WILL BE RESPONSIBLE FOR:

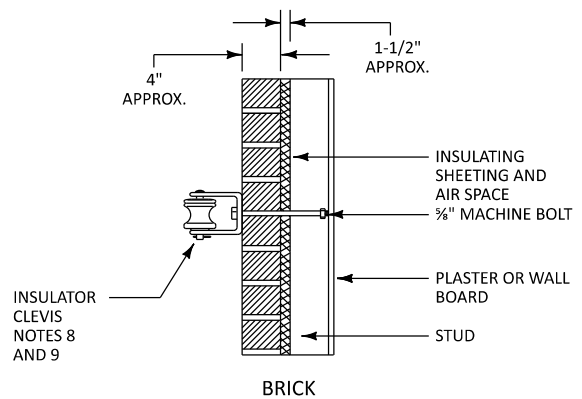
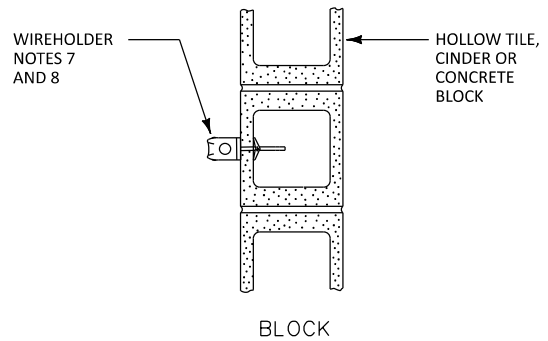
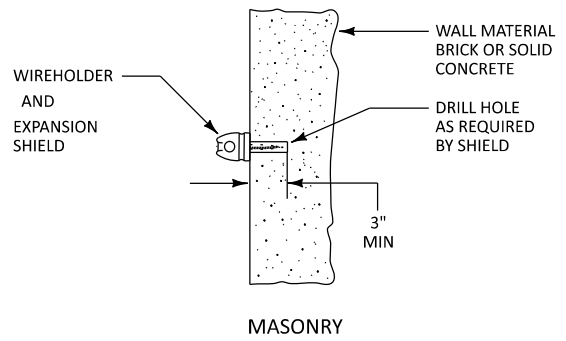
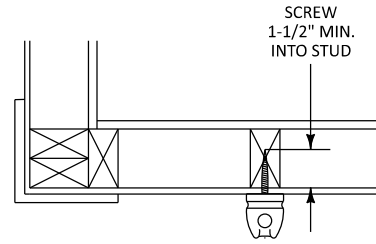
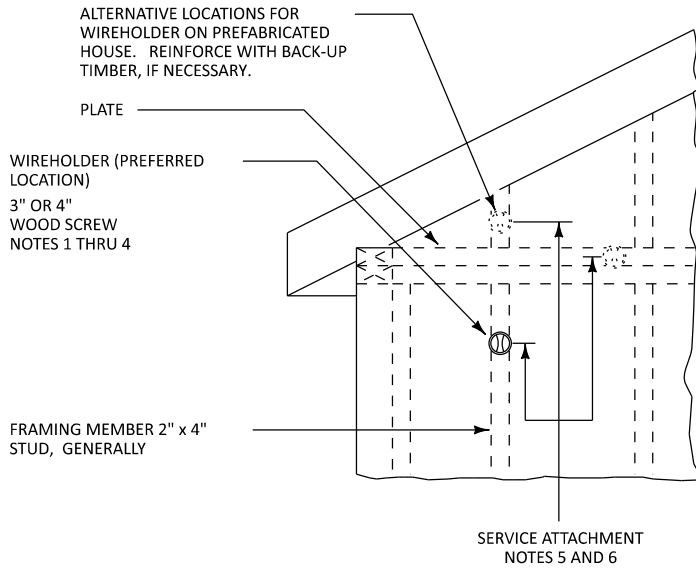
- (a) PROVIDING AND INSTALLING THE WEATHER HEAD, SERVICE MAST, ROOF FLASHING, BUILDING PLATE ATTACHMENT, BUILDING ATTACHMENTS AND SERVICE ENTRANCE CONDUCTORS. SERVICE ENTRANCE CONDUCTORS SHALL PROJECT FROM WEATHERHEAD A MINIMUM OF 18 INCHES.
- (b) PROVIDING A MAST SUPPORT STRONG ENOUGH TO WITHSTAND THE STRAIN IMPOSED BY THE SERVICE DROP.
- (c) INSTALLING MAST PIPE THROUGH A 2-3/8" DIA. HOLE IN A 2" x 12" MIN. BLOCK SOLIDLY BETWEEN RAFTERS - USE 3/8" x 4" WOOD SCREWS, FOUR ON EACH SIDE. MINIMUM ALLOWABLE SEPARATION BETWEEN ROOF AND SERVICE ATTACHMENTS MAY BE 1'-6", IF DIMENSION "X" IS 4'-0" OR LESS. MAXIMUM CONDUCTOR FILL IN 2" PIPE IS 3-4/0 CONDUCTORS OR SERVICE ENTRANCE CABLE EQUIVALENT.
- (d) PROVIDING AND INSTALLING THE GROUND ROD, GROUND CLAMP AND GROUND WIRE.
- (e) PROVIDING, INSTALLING AND MAKING METER CONNECTIONS FOR THE SERVICE ENTRANCE CONDUCTORS OR CABLE. SERVICE ENTRANCE CONDUCTORS.
- (f) SECURELY MOUNT THE METER BASE IN A PLUMB POSITION.
- (g) INSTALLATION OF EQUIPMENT TO BE IN ACCORDANCE WITH COMPANY STANDARDS AND/OR LOCAL ORDINANCES OR CODES.

GENERAL CONSTRUCTION NOTES:

1. SERVICE MAST TO BE USED WHERE IT IS IMPOSSIBLE TO ATTACH WIREHOLDERS TO THE BUILDING WALL AND MAINTAIN PROPER CLEARANCE ACCORDING TO FIG. 4. FOR PROPER ROOF TO SERVICE ATTACHMENT CLEARANCES, REFER TO CUSTOMER RESPONSIBILITY (c). ONLY POWER SERVICE CONDUCTORS ARE ALLOWED TO CONTACT THE SERVICE MAST, NEC (230-28).
2. MINIMUM HEIGHT OF 18", MAXIMUM HEIGHT OF 36" WITHOUT GUYING.
3. CUSTOMER GROUNDING SHALL BE IN ACCORDANCE WITH NEC IN ARKANSAS, OKLAHOMA, LOUISIANA AND TEXAS, THE GROUND WIRE SHALL BE CONNECTED IN THE METER SOCKET. THE CUSTOMER SHALL HAVE A MINIMUM OF 2 DRIVEN GROUND RODS AT LEAST 6 FEET APART OR CUSTOMER GROUNDING SHALL BE IN ACCORDANCE WITH THE NATIONAL ELECTRICAL CODE AND THE LOCAL OR STATE AUTHORITY.
4. METER SOCKET USED ON COMMERCIAL CUSTOMER SHALL HAVE A LEVER OPERATED BY-PASS FOR THREE PHASE AND SINGLE PHASE.

SERVICE ATTACHMENT TO MAST OF LOW PROFILE OR OTHER BUILDING

FIGURE 6

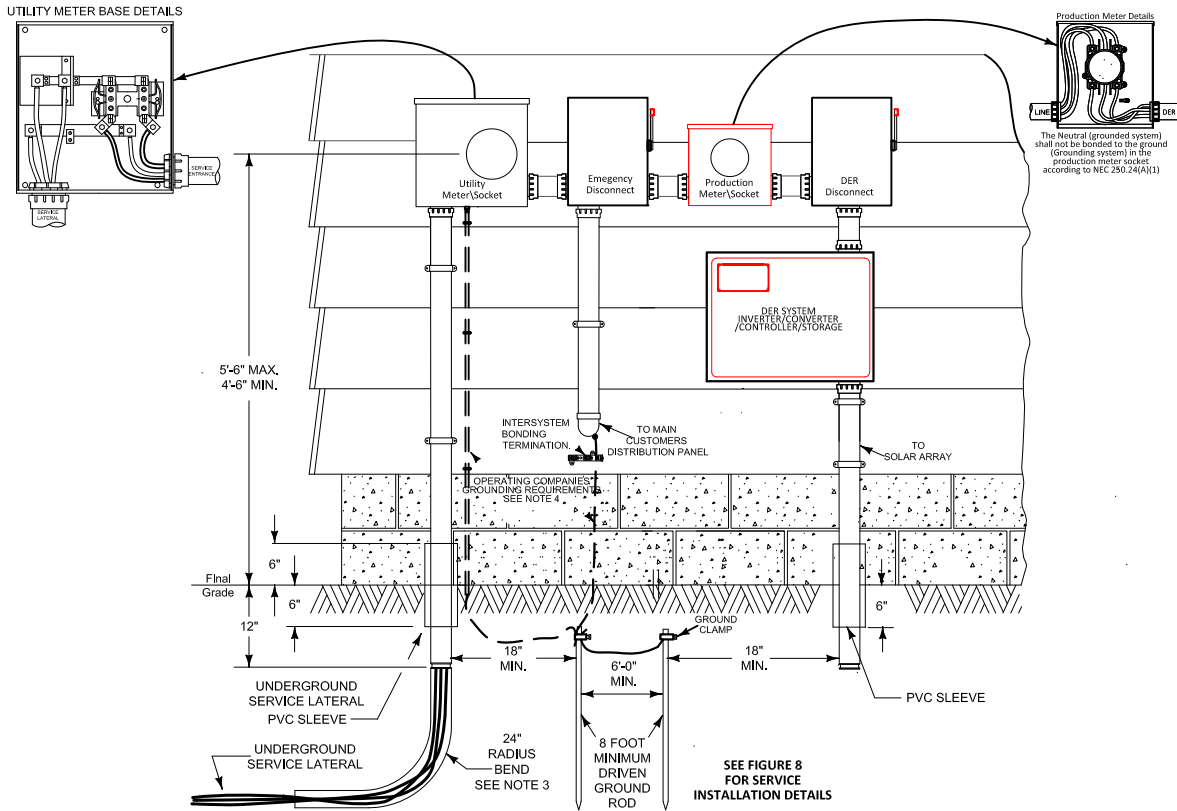


NOTES:

1. SELECTION OF A 3 OR 4 INCH SCREW LENGTH IS DEPENDENT ON THE THICKNESS OF MATERIAL (FACING, INSULATION - ETC.) WHICH MUST BE PENETRATED BEFORE A SOLID FRAMING MEMBER IS ENCOUNTERED.
2. DRILL A 7/32" DIAMETER HOLE INTO THE WALL STUD BEFORE INSTALLING WIREHOLDERS (TO AVOID SPLITTING THE WOOD OR BREAKING THE WIREHOLDER). WIREHOLDER SCREW MUST BE INSTALLED AS FAR AS POSSIBLE SO THAT WIREHOLDER IS TIGHT AND FLUSH WITH OUTSIDE FRAME SURFACE. AT LEAST 1-1/2" OF SCREW MUST PENETRATE THE STUD.
3. FOR PREFABRICATED HOUSES - WHERE THE STUD IS GENERALLY 2" X 2", CUT THE WIREHOLDER SCREW TO THE REQUIRED LENGTH WITH BOLT CUTTERS IF GROUND CLEARANCES PERMIT SERVICE DROP TO BE ATTACHED BELOW CEILING LINE. OTHERWISE, USE ALTERNATIVE WIREHOLDER LOCATIONS SHOWN OR USE A SERVICE MAST, REFER TO FIGURE 6.
4. STRUCTURE LOADING AT WIREHOLDER:
 - (a) FOR #4, #2 AWG AND 1/0 SERVICE DROP CABLE - STRUCTURE TO WITHSTAND A MINIMUM PULL OF 1000 LBS. PER WIREHOLDER.
 - (b) FOR 4/0 AWG SERVICE DROP CABLE - STRUCTURE TO WITHSTAND A MINIMUM PULL OF 1500 LBS. PER WIREHOLDER.
5. THE SERVICE ATTACHMENT SHALL BE INSTALLED AT A HEIGHT THAT MAINTAINS REQUIRED CLEARANCES FOR SERVICE DROP CONDUCTORS. FOR CLEARANCES, REFER TO FIGURE 5.
6. SERVICE MAST TO BE USED WHERE IT IS IMPOSSIBLE TO ATTACH WIREHOLDER TO BUILDING WALL AND MAINTAIN PROPER CLEARANCES TO GROUND. A SERVICE MAST FOR A RESIDENCE IS REQUIRED TO PROVIDE THE REDUCED CLEARANCES OVER RESIDENTIAL DRIVEWAYS AS SHOWN IN FIGURE 5.
7. COAT ALL METAL PARTS OF THESE SERVICE DROP ATTACHMENTS WITH CORROSION-INHIBITING GREASE (WITHOUT METALLIC PARTICLES) BEFORE INSTALLING THEM IN MASONRY OR CINDER BLOCKS.
8. NEW CONSTRUCTION - FURNISH CUSTOMER OR CONTRACTOR WITH PROPER WIREHOLDER OR INSULATOR CLEVIS SO THAT SERVICE ATTACHMENT CAN BE INSTALLED AT A SUITABLE LOCATION (DESIGNATED BY THE POWER COMPANY) BY THE CONTRACTOR DURING CONSTRUCTION OF THE BUILDING.
9. FOR BRICK BUILDINGS OF RELATIVELY SOFT BRICK, INSTALL THE WIREHOLDER SCREW IN THE MORTAR BETWEEN THE BRICKS.

SERVICE DROP ATTACHMENTS AT BUILDING
FIGURE 7

**AMERICAN ELECTRIC POWER COMPANY
METER STANDARDS**



1. Application:

- a. Customer shall apply for interconnection as detailed in AEP's TIIR, and provide all system specifications, one-line drawing before installing any DER equipment, and shall show proof of meeting Operating Company's adopted electrical code at time of commissioning.
- b. Customer shall sign an Interconnection Service Agreement, and any necessary Purchase Power or Tariff Agreements.
- c. Utilities shall install any production meters.
- d. Any required telemetry equipment shall be installed as agreed upon within the Interconnection Service Agreement.
- e. Customer is responsible for the installation and maintenance of all DER equipment and complying with all AHJ and NEC requirements and codes.

2. Production Meter base socket:

- a. Customer will install the production meter socket with their DER system/systems. The production meter socket will be purchased by customer, except in areas where the Operating Company provide this component.
- b. No additional equipment will be allowed to be installed inside the production meter base and wiring must be connected to the factory specified lugs inside meter base. Connection within the meter base shall only be done using manufacturer specified equipment.
- c. Meter socket shall not be located in or over a walkway, driveway, or alley where susceptible to damage or hazardous to pedestrians
- d. The production meter socket is required to follow all rules and requirements listed in the most recent version of the AEP Meter and Service Guide.
- e. Production Meter socket must be installed outdoors in a readily accessible location. No trees or shrubs shall be planted in front of the meter.
- f. Attach meter socket with metal or lead anchors only; plastic anchors are not acceptable
- g. Utility will provide the billing and production meters which will be the utility's meters.

3. DER Disconnect:

- a. Customer shall provide and install a readily accessible, visible-break isolation device that shall be located between the area EPS (Electrical Power System) and each DER for all installations.
- b. AEP's full isolation service requirements can be found in section 4.09 of the company's technical interconnection interoperability requirements (TIIR) document found here (insert hyperlink to TIIR)
- c. Installation must comply with all NEC, local codes and Authority having Jurisdiction

4. General Instructions:

- a. Entrance and exit conduits shall be installed using the manufactures knockout holes
- b. Area Clear of obstructions 15" on each side and 48" in front of meter.
- c. The neutral shall not be bonded to the ground in the production meter socket.
- d. The production meter socket shall be bonded . Installation must comply with all local codes, NEC and AHJ.

5. Completion and Inspection:

- a. Once system has passed inspection and all the paperwork is completed, AEP will schedule a time to install a bi-directional billing meter and a production meter.
- b. The system shall not be operated in parallel with the utilities grid until the "Permission to operate letter" has been received.

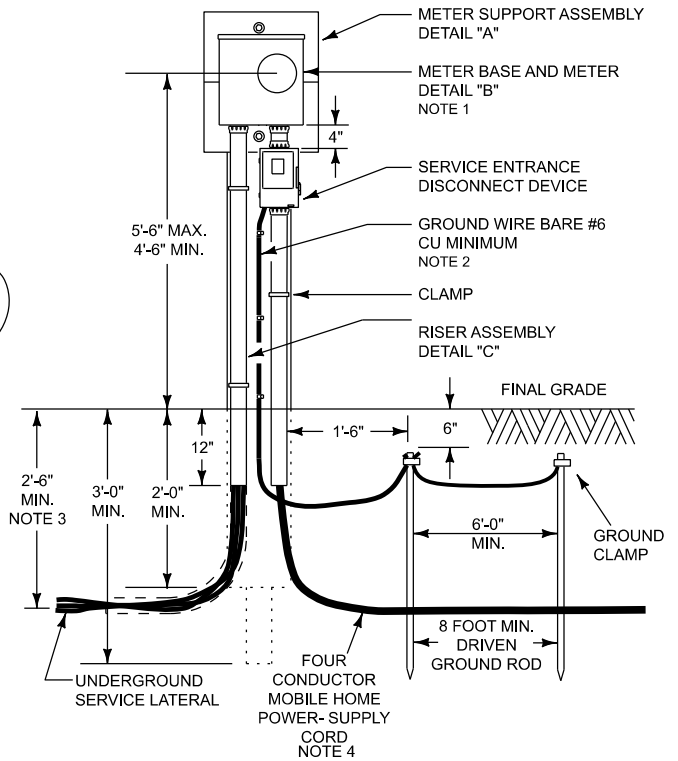
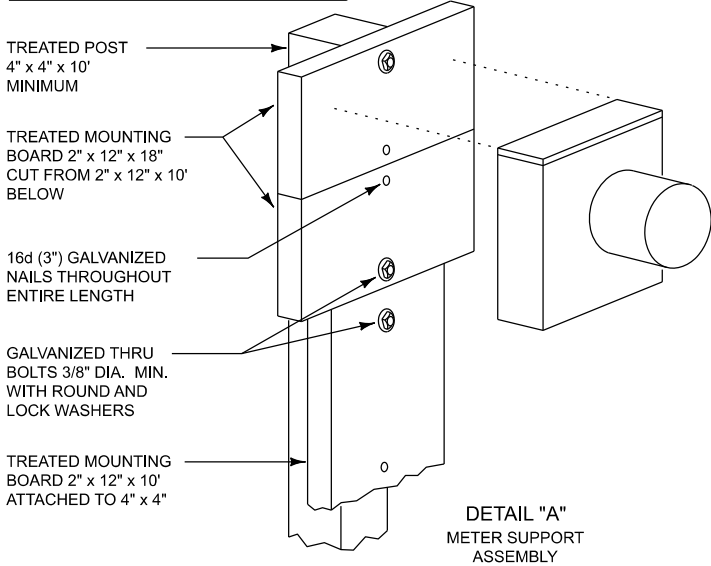
Notes:

- 1. The Neutral (grounded system) shall not be bonded to the ground (grounding system) in the production meter socket according to NEC article 250.24(A).
- 2. The Neutral (grounded system) shall be bonded to the ground (grounding systems) at the first means of attachment: disconnect, or meter base, as prescribed per Operating company and by NEC 250.24(A)
- 3. Operating Companies which requires a 36" radius bends in service entrance Conduits. APCo,
- 4. Grounding
 - Grounding conductor not permitted in the meter socket per the following Operating company: APCo,
 - Grounding conductor required in the meter socket only per the following Operating company: Texas
 - Grounding conductor permitted in the meter base or disconnect or as pre-scribed by the NEC 250.24(A): Ohio, I&M, SWEPCO,

RESIDENTIAL DER SYSTEM with "PRODUCTION METER DETAILS"

This drawing is for production meter installation only, see the AEP service guide for all new service installations

SEE GENERAL CONDITION NOTES FOR POWER COMPANY AND CUSTOMER RESPONSIBILITIES



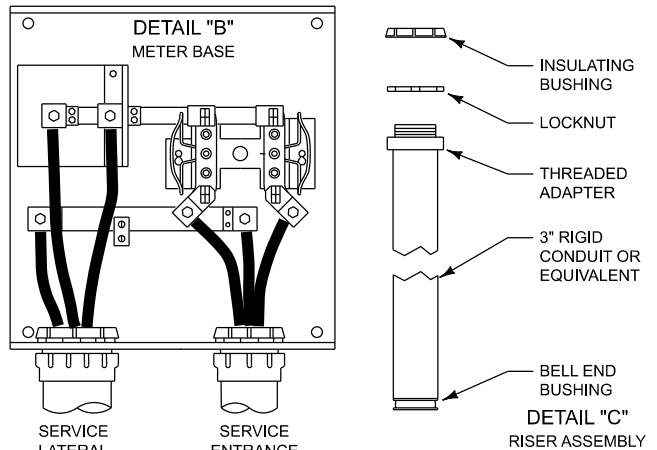
GENERAL CONDITION NOTES:

THE POWER COMPANY WILL BE RESPONSIBLE FOR:

- SPECIFYING THE SERVICE POST LOCATION. NOTE: THE NATIONAL ELECTRICAL CODE (NEC) RECOMMENDS THAT THE SERVICE EQUIPMENT BE "IN SIGHT FROM" AND WITHIN 30 FEET OF THE MOBILE HOME. FOR RECREATIONAL VEHICLE SITE, REFER TO ARTICLE 551.77 OF THE NEC.
- INSTALLING AND REMOVING THE METER.
- PROVIDING AND INSTALLING THE UNDERGROUND SERVICE LATERAL IN SERVICE TERRITORIES WHERE REQUIRED.

THE CUSTOMER WILL BE RESPONSIBLE FOR:

- PROVIDING GROUNDING IN ACCORDANCE WITH NATIONAL ELECTRICAL CODE AND LOCAL REGULATIONS. GROUND SHALL BE CONNECTED IN METER ENCLOSURE OR CUSTOMER SWITCH.
- PROVIDING AND SECURELY INSTALLING THE METER POST AND EQUIPMENT MOUNTING BOARD WITH THE FOLLOWING REQUIREMENTS:
 - TREATED WITH AN EPA REGISTERED PRESERVATIVE.
 - METER POST WITH DIMENSIONS AS SHOWN, WITH THE TOP CUT AT ANGLE AWAY FROM MOUNTING BOARD FOR WATER DRAINAGE.
 - EQUIPMENT MOUNTING BOARD WITH DIMENSIONS AS SHOWN, FOR MOUNTING THE METERING AND SERVICE EQUIPMENT DEVICES. MOUNTING BOARD TO BE NAILED (SIZE 20d) TO METER POST EVERY 16 INCHES WITH ADDITIONAL THRU BOLTS LOCATED AS SHOWN. SERVICE ENTRANCE CONDUCTORS OR CABLES NOT TO EXIT THROUGH REAR OF METER BASE.
 - SECURELY MOUNTING THE METER BASE IN A LEVEL AND PLUMB POSITION. METER MUST FACE STREET OR ACCESS WALKWAY.
- PROVIDING AND INSTALLING THE SERVICE EQUIPMENT DISCONNECT DEVICE. TYPICAL CONFIGURATION SHOWN (OTHER CONFIGURATIONS AVAILABLE). THE DISCONNECT DEVICE IS TO HAVE OVER CURRENT PROTECTION AND TO BE IN A WEATHERPROOF ENCLOSURE. CUSTOMER TO SELECT NEC APPROVED EQUIPMENT BEST SUITED TO THEIR NEEDS.
- PROVIDING AND SECURELY INSTALLING THE SERVICE LATERAL CONDUIT, SERVICE ENTRANCE CONDUIT AND POWER-SUPPLY CORD IN ACCORDANCE WITH NEC AND LOCAL CODES. NON-METALLIC CONDUIT PERMITTED IF INSTALLED IN ACCORDANCE WITH ARTICLE 352 OF THE NEC AND ACCEPTABLE TO THE AUTHORITY HAVING JURISDICTION.



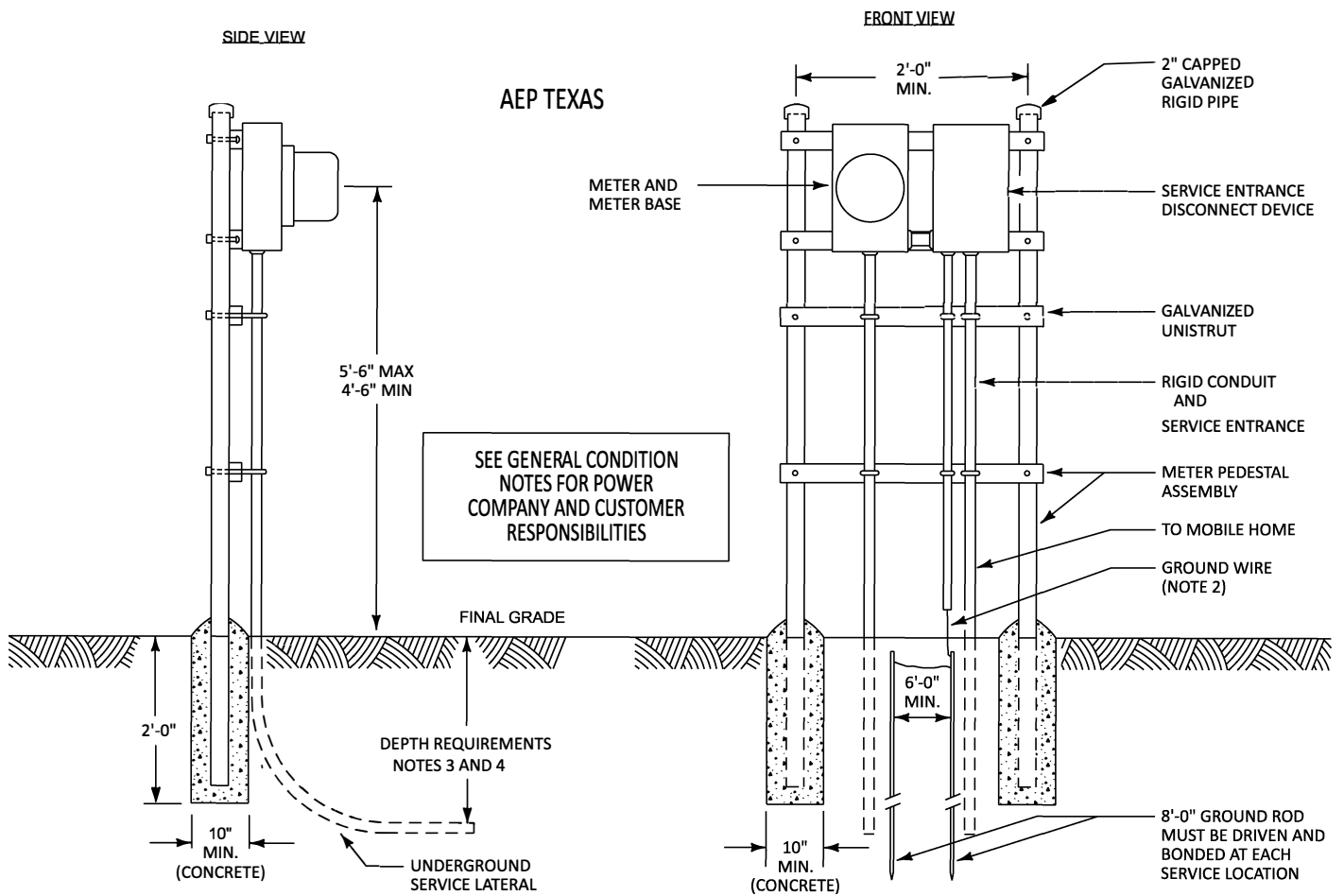
- CUSTOMER GROUNDING SHALL BE IN ACCORDANCE WITH NEC IN ARKANSAS, OKLAHOMA, LOUISIANA AND TEXAS, THE GROUND WIRE SHALL BE CONNECTED IN THE METER SOCKET. THE CUSTOMER SHALL HAVE A MINIMUM OF 2 DRIVEN GROUND RODS AT LEAST 6 FEET APART OR CUSTOMER GROUNDING SHALL BE IN ACCORDANCE WITH THE NATIONAL ELECTRICAL CODE AND THE LOCAL OR STATE AUTHORITY.
- BURIAL DEPTH IS THE DISTANCE BETWEEN FINAL GRADE AND THE TOP OF THE BURIED CABLE OR CONDUIT. THE POWER COMPANY SHALL SPECIFY THE REQUIRED BURIAL DEPTH TO CONFORM TO LOCAL REQUIREMENTS. THE BURIAL DEPTH SHALL NOT BE LESS THAN 2'-6". ARKANSAS, OKLAHOMA, LOUISIANA, AND TEXAS SHALL NOT BE LESS THAN 3'. IF ADDITIONAL CONDUIT IS REQUIRED TO CLEAR OBSTRUCTIONS, REFER TO POWER COMPANY FOR APPROVED USAGE.
- BURIAL DEPTH TO COMPLY WITH LOCAL CODES. 2'-0" MIN. IS CONSIDERED ADEQUATE BY ARTICLE 300-5 OF THE NEC. A GROUNDING AS WELL AS A GROUNDED CONDUCTOR MUST EXTEND BETWEEN THE MOBILE HOME AND ITS ADJACENT SERVICE EQUIPMENT. NEITHER THE FRAME OF THE MOBILE HOME NOR THE FRAME OF ANY DISTRIBUTION PANEL OR APPLIANCE MAY BE CONNECTED TO THE NEUTRAL (GROUNDED) CONDUCTOR IN THE MOBILE HOME. THE GROUNDING AND GROUNDED CONDUCTORS ARE BONDED TOGETHER ONLY ON THE SUPPLY SIDE OF THE SERVICE DISCONNECT DEVICE. REFER TO ARTICLE 550 OF THE NEC - GROUNDING.

GENERAL CONSTRUCTION NOTES:

- THIS INSTALLATION IS ALSO FOR MOBILE HOMES IN PARKS.

SINGLE MOBILE HOME UNDERGROUND SERVICE

FIGURE 9



GENERAL CONDITION NOTES:

THE POWER COMPANY WILL BE RESPONSIBLE FOR:

- (a) SPECIFYING THE METER PEDESTAL LOCATION. NOTE: THE NATIONAL ELECTRICAL CODE (NEC) RECOMMENDS THAT THE SERVICE EQUIPMENT BE "IN SIGHT FROM" AND WITHIN 30'-0" OF THE MOBILE HOME.
- (b) INSTALLING AND REMOVING THE METER.
- (c) PROVIDING AND INSTALLING THE UNDERGROUND SERVICE LATERAL CONDUCTORS.

THE CUSTOMER WILL BE RESPONSIBLE FOR:

- (a) PROVIDING AND INSTALLING THE METER PEDESTAL.
- (b) PROVIDING AND INSTALLING THE METER BASE.
- (c) PROVIDING AN ADEQUATE GROUND TO THE SERVICE EQUIPMENT DISCONNECT DEVICE. GROUND IN ACCORDANCE WITH ARTICLE 250 OF THE NATIONAL ELECTRICAL CODE (NEC).
- (d) SECURELY INSTALLING THE METER PEDESTAL AS SHOWN.
- (e) SECURELY MOUNTING THE METER BASE IN A LEVEL AND PLUMB POSITION. METER MUST FACE STREET OR ACCESS WALKWAY.
- (f) PROVIDING AND INSTALLING THE SERVICE EQUIPMENT DISCONNECT DEVICE.
- (g) PROVIDING SERVICE ENTRANCE CONDUCTORS OF SUFFICIENT AMPACITY TO SERVE THE CONNECTED LOAD ACCORDING TO THE CURRENT NEC.

GENERAL CONSTRUCTION NOTES:

1. THIS INSTALLATION IS ALSO FOR MOBILE HOMES IN PARKS.
2. CUSTOMER IS TO SIZE GROUND WIRE ACCORDING TO NEC REQUIREMENTS.
3. BURIAL DEPTH IS THE DISTANCE BETWEEN FINAL GRADE AND THE TOP OF THE BURIED CABLE OR CONDUIT. THE POWER COMPANY (AEP) SHALL SPECIFY THE REQUIRED BURIAL DEPTH PER OPERATING COMPANY AS PRESCRIBED IN THE PRECEDING LIST:

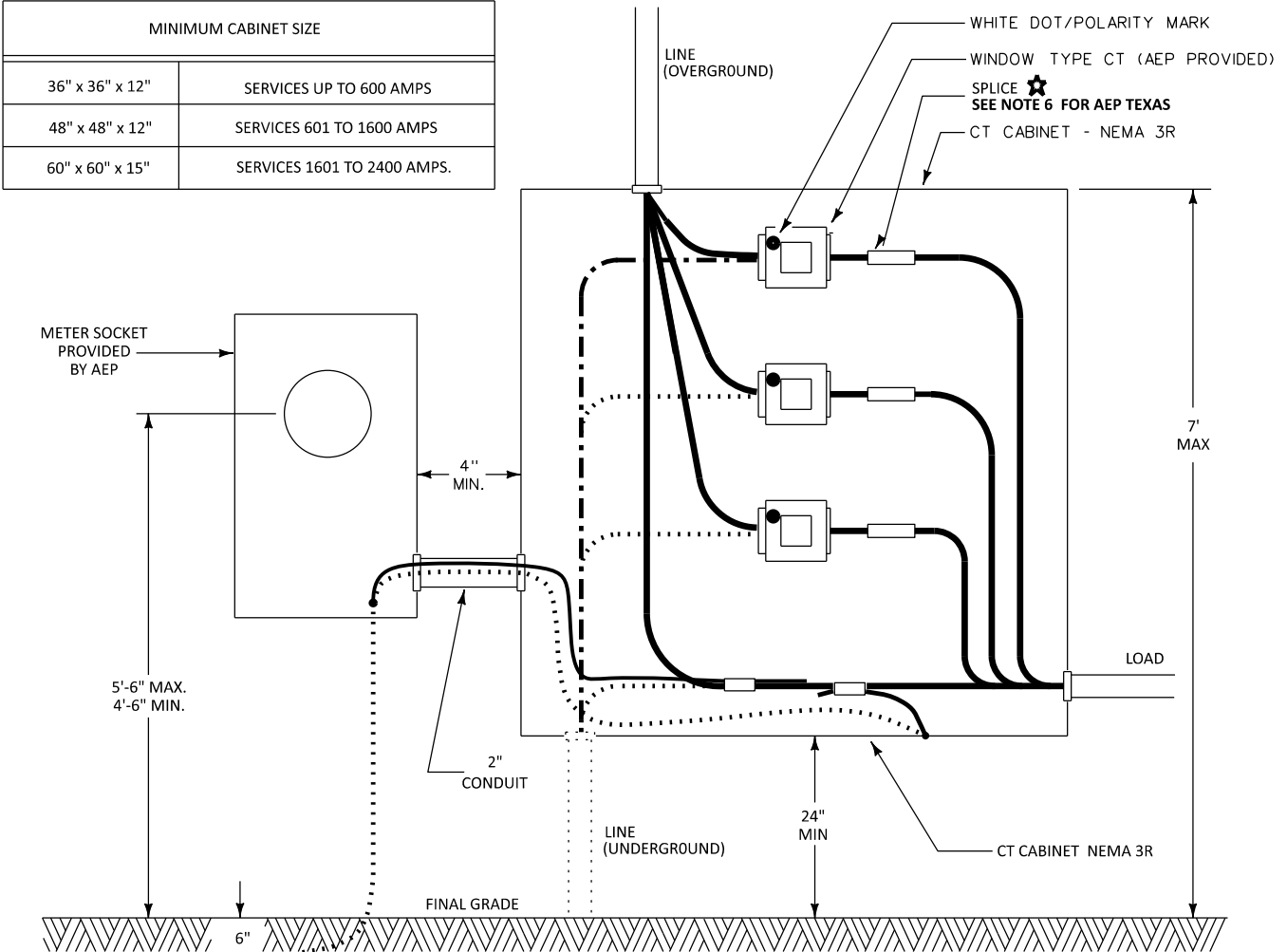
| | |
|---------|----------------------------------|
| APCO | = REQUIRES A BURIAL DEPTH OF 30" |
| I & M | = REQUIRES A BURIAL DEPTH OF 30" |
| OHIO | = REQUIRES A BURIAL DEPTH OF 30" |
| TEXAS | = REQUIRES A BURIAL DEPTH OF 36" |
| PSO | = REQUIRES A BURIAL DEPTH OF 36" |
| SWEPSCO | = REQUIRES A BURIAL DEPTH OF 36" |

AND/OR CONFORM TO ANY OR ALL AUTHORITY HAVING JURISDICTION. THE POWER COMPANY (AEP) HAS PRESCRIBED THE BURIAL DEPTH SHALL NOT BE LESS THAN STATED DEPTH ON THE PRECEDING LIST UNLESS IMPOSSIBLE TO BE ACHIEVED OR IS SUPERSEDED BY LOCAL AUTHORITY HAVING JURISDICTION. IF THE DEPTH IS IMPOSSIBLE TO ACHIEVED AEP'S VERIFICATION WILL BE NEEDED. HOWEVER, NOT TO BE LESS THAN WHAT IS STATED IN THE NATIONAL ELECTRICAL CODE'S ARTICLES AND TABLES: ARTICLE 300: 300.3(B) (1), 300.3 (C) (1) (2), TABLE 300.5, AND TABLE 300.50

4. BURIAL DEPTH TO COMPLY WITH LOCAL CODES. 2'-0" MIN. IS CONSIDERED ADEQUATE BY ARTICLE 300-5 OF THE NEC. A GROUNDING AS WELL AS A GROUNDED CONDUCTOR MUST EXTEND BETWEEN THE MOBILE HOME AND ITS ADJACENT SERVICE EQUIPMENT. NEITHER THE FRAME OF THE MOBILE HOME NOR THE FRAME OF ANY DISTRIBUTION PANEL OR APPLIANCE MAY BE CONNECTED TO THE NEUTRAL (GROUNDED) CONDUCTOR IN THE MOBILE HOME. THE GROUNDING AND GROUNDED CONDUCTORS ARE BONDED TOGETHER ONLY ON THE SUPPLY SIDE OF THE SERVICE DISCONNECT DEVICE. REFER TO ARTICLE 550 OF THE NEC - GROUNDING.

**SINGLE MOBILE HOME UNDERGROUND SERVICE
(ALTERNATE METER PEDESTAL)
FIGURE 9A**

| MINIMUM CABINET SIZE | |
|----------------------|-----------------------------|
| 36" x 36" x 12" | SERVICES UP TO 600 AMPS |
| 48" x 48" x 12" | SERVICES 601 TO 1600 AMPS |
| 60" x 60" x 15" | SERVICES 1601 TO 2400 AMPS. |



8 FOOT MINIMUM DRIVEN
GROUND ROD AND
GROUND CLAMP
AND
GROUND WIRE BARE
#6 CU MINIMUM

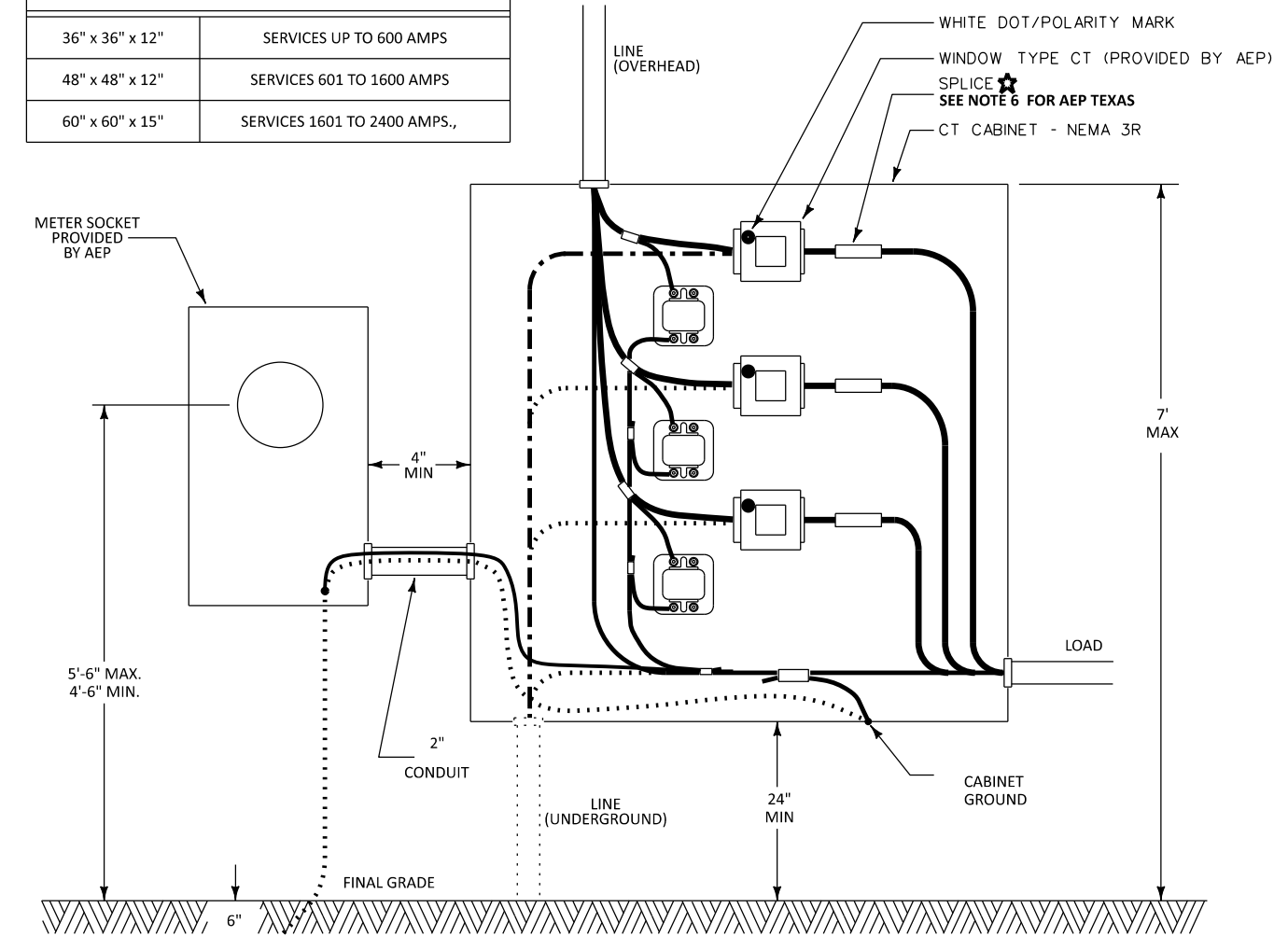
NOTES:

1. CT CABINET, FURNISHED AND INSTALLED BY CUSTOMER, SHALL BE OF SUBSTANTIAL STRENGTH WITH CORROSION PROTECTION, SUCH AS PAINTED GALVANIZED STEEL NEMA 3R. ALUMINUM OR FIBER REINFORCED POLYESTER ENCLOSURES MUST BE USED IN CORROSIVE AREAS. IT SHALL BE FITTED WITH HINGED DOOR(S) AND SHALL HAVE PROVISIONS FOR INSTALLING AN COMPANY PADLOCK AND SEAL THE INSIDE BACK OF THE CABINET SHALL BE ENTIRELY COVERED BY 3/4" TREATED PLYWOOD FOR MOUNTING THE CURRENT TRANSFORMERS OR (AEP TEXAS) SUITABLE MOUNTING BRACKETS MAY BE PROVIDED. A GROUNDING LUG SHALL BE PROVIDED TO GROUND THE CABINET.
 2. THE WHITE DOT POLARITY MARK ON THE CT SHALL BE TOWARD THE ENERGY SOURCE OR LINE SIDE.
 3. CUSTOMER SHOULD MOUNT THE METER SOCKET OR CABINET NEXT TO THE CT CABINET AND INSTALL 2" CONDUIT BETWEEN THE TWO. IF THE METER SOCKET CANNOT BE INSTALLED NEXT TO THE CT CABINET, IT MAY BE LOCATED UP TO 20 FEET AWAY WITH COMPANY METER SERVICES APPROVAL. 2" CONDUIT SHALL CONNECT THE SOCKET AND CT CABINET.
 4. THE CT CABINET AND METER SOCKET SHALL BE GROUNDED. THE METER SOCKET AND CT CABINET SHALL BE BONDED THROUGH A SEPARATE EQUIPMENT-GROUNDING CONDUCTOR CONNECTED TO THE GROUNDED SERVICE CONDUCTOR (USUALLY THE NEUTRAL). IF A GROUNDED SERVICE CONDUCTOR DOES NOT EXIST THEN GROUNDING AND BONDING OF METERING EQUIPMENT MUST BE ESTABLISHED THROUGH A GROUNDING ELECTRODE SYSTEM ESTABLISHED AT THE POINT OF SERVICE. IN SOME JURISDICTIONS THE GROUNDING OF THE METER SOCKET AND INSTRUMENT TRANSFORMER ENCLOSURE WILL BE SUPPLEMENTED WITH THE USE OF A DRIVEN GROUND ROD IN ADDITION TO BONDING TO THE GROUNDED SERVICE CONDUCTOR. REFER TO SECTION 9 FOR CT CABINET SPECIFICATIONS.
 5. COMPANY WILL INSTALL THE SECONDARY WIRING BETWEEN THE CT AND THE METER SOCKET.
 6. THE CONDUCTOR SPLICE SHALL BE MADE WITH BOLTED CONNECTIONS FURNISHED AND INSTALLED BY CUSTOMER WHERE REQUIRED. **IN AEP TEXAS WHEN THE CUSTOMER OWNS AND INSTALLS BOTH THE LINE AND LOAD CONDUCTORS, THE CONDUCTOR SHALL PASS THROUGH THE CT'S CABINET WITHOUT SPLICES.**
 7. FOR CT CABINET CLEARANCES REFERENCE FIGURE 20A
 8. FOR CT CABINET CLEARANCES ON CATWALK INSTALLATIONS REFERCE FIGURE 21A
- ★ SPLICE IS REQUIRED IN AEP: KENTUCY, OHIO, OKLAHOMA.

CURRENT TRANSFORMER CABINETS
OVERHEAD OR UNDERGROUND SERVICE
WINDOW TYPE CT'S

FIGURE 10

| MINIMUM CABINET SIZE | |
|----------------------|------------------------------|
| 36" x 36" x 12" | SERVICES UP TO 600 AMPS |
| 48" x 48" x 12" | SERVICES 601 TO 1600 AMPS |
| 60" x 60" x 15" | SERVICES 1601 TO 2400 AMPS., |



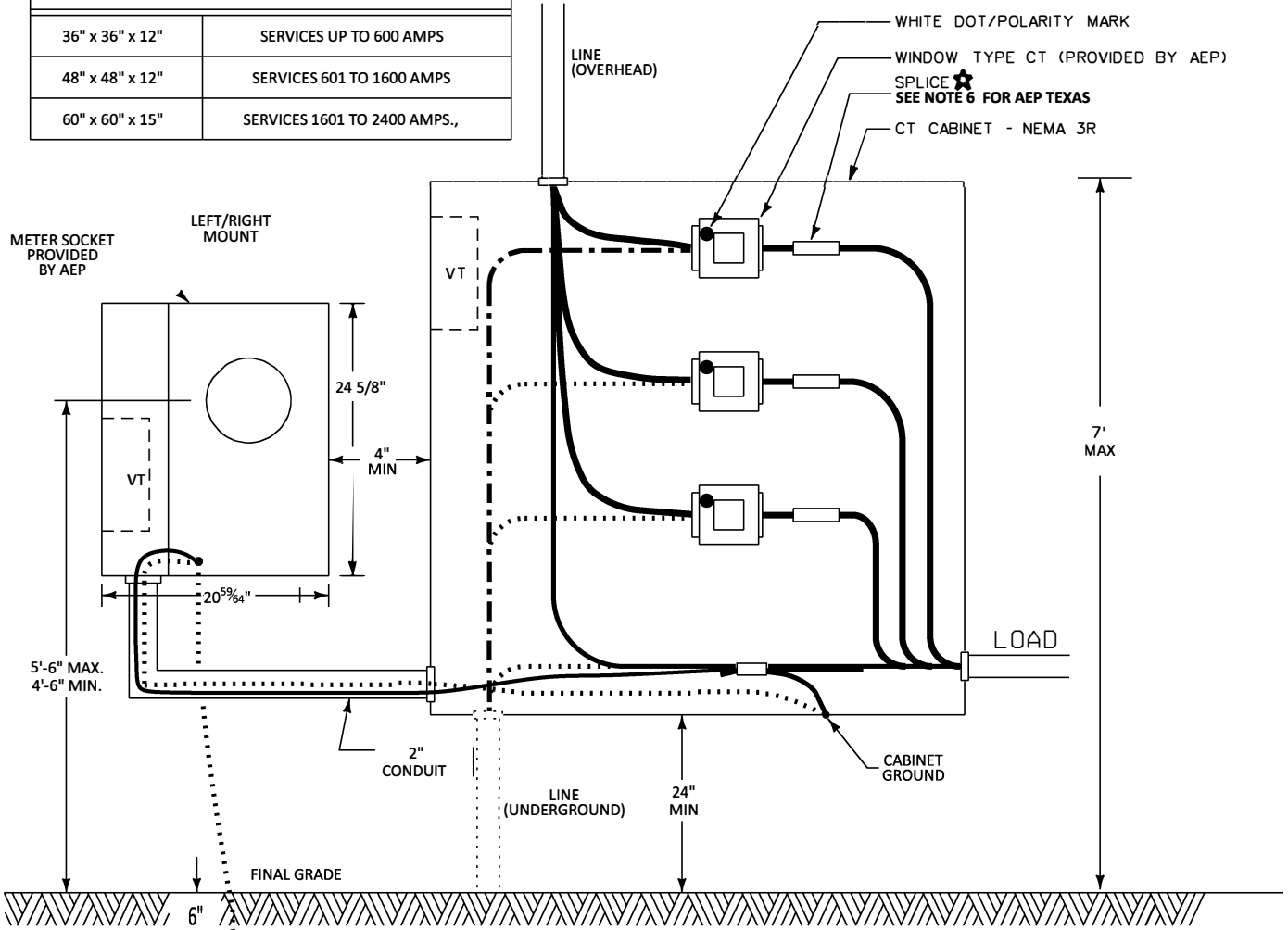
8 FOOT MINIMUM DRIVEN GROUND ROD AND GROUND CLAMP AND GROUND WIRE BARE # 6 CU MINIMUM

NOTES:

1. CT CABINET, FURNISHED AND INSTALLED BY CUSTOMER, SHALL BE OF SUBSTANTIAL STRENGTH WITH CORROSION PROTECTION, SUCH AS PAINTED GALVANIZED STEEL NEMA 3R. ALUMINUM OR FIBER REINFORCED POLYESTER ENCLOSURES MUST BE USED IN CORROSIVE AREAS. IT SHALL BE FITTED WITH HINGED DOORS(S) AND SHALL HAVE PROVISIONS FOR INSTALLING AN COMPANY PADLOCK AND SEAL THE INSIDE BACK OF THE CABINET SHALL BE ENTIRELY COVERED BY 3/4" TREATED PLYWOOD FOR MOUNTING THE CURRENT TRANSFORMERS OR (AEP TEXAS) SUITABLE MOUNTING BRACKETS MAY BE PROVIDED. A GROUNDING LUG SHALL BE PROVIDED TO GROUND THE CABINET.
 2. THE WHITE DOT POLARITY MARK ON THE CT SHALL BE TOWARD THE ENERGY SOURCE OR LINE SIDE.
 3. CUSTOMER SHOULD MOUNT THE METER SOCKET OR CABINET NEXT TO THE CT CABINET AND INSTALL 2" CONDUIT BETWEEN THE TWO. IF THE METER SOCKET CANNOT BE INSTALLED NEXT TO THE CT CABINET, IT MAY BE LOCATED UP TO 20 FEET AWAY WITH COMPANY METER SERVICES APPROVAL. 2" CONDUIT SHALL CONNECT THE SOCKET AND CT CABINET.
 4. THE CT CABINET AND METER SOCKET SHALL BE GROUNDED. THE METER SOCKET AND CT CABINET SHALL BE BONDED THROUGH A SEPARATE EQUIPMENT-GROUNDING CONDUCTOR CONNECTED TO THE GROUNDED SERVICE CONDUCTOR (USUALLY THE NEUTRAL). IF A GROUNDED SERVICE CONDUCTOR DOES NOT EXIST THEN GROUNDING AND BONDING OF METERING EQUIPMENT MUST BE ESTABLISHED THROUGH A GROUNDING ELECTRODE SYSTEM ESTABLISHED AT THE POINT OF SERVICE. IN SOME JURISDICTIONS THE GROUNDING OF THE METER SOCKET AND INSTRUMENT TRANSFORMER ENCLOSURE WILL BE SUPPLEMENTED WITH THE USE OF A DRIVEN GROUND ROD IN ADDITION TO BONDING TO THE GROUNDED SERVICE CONDUCTOR.
 5. COMPANY WILL INSTALL THE SECONDARY WIRING BETWEEN THE CT AND THE METER SOCKET.
 6. THE CONDUCTOR SPLICE SHALL BE MADE WITH BOLTED CONNECTIONS FURNISHED AND INSTALLED BY CUSTOMER WHERE REQUIRED. **IN AEP TEXAS WHEN THE CUSTOMER OWNS AND INSTALLS BOTH THE LINE AND LOAD CONDUCTORS, THE CONDUCTOR SHALL PASS THROUGH THE CT'S CABINET WITHOUT SPLICES.**
 7. FOR CT CABINET CLEARANCES REFERENCE FIGURE 20A
 8. FOR CT CABINET CLEARANCES ON CATWALK INSTALLATIONS REFERENCE FIGURE 21A
- ★ SPLICE IS REQUIRED IN AEP: KENTUCKY, OHIO, OKLAHOMA.

CURRENT TRANSFORMER CABINETS OVERHEAD OR UNDERGROUND SERVICE WINDOW TYPE CT'S AND VT'S 277/480 VOLT
FIGURE 11

| MINIMUM CABINET SIZE | |
|----------------------|------------------------------|
| 36" x 36" x 12" | SERVICES UP TO 600 AMPS |
| 48" x 48" x 12" | SERVICES 601 TO 1600 AMPS |
| 60" x 60" x 15" | SERVICES 1601 TO 2400 AMPS., |



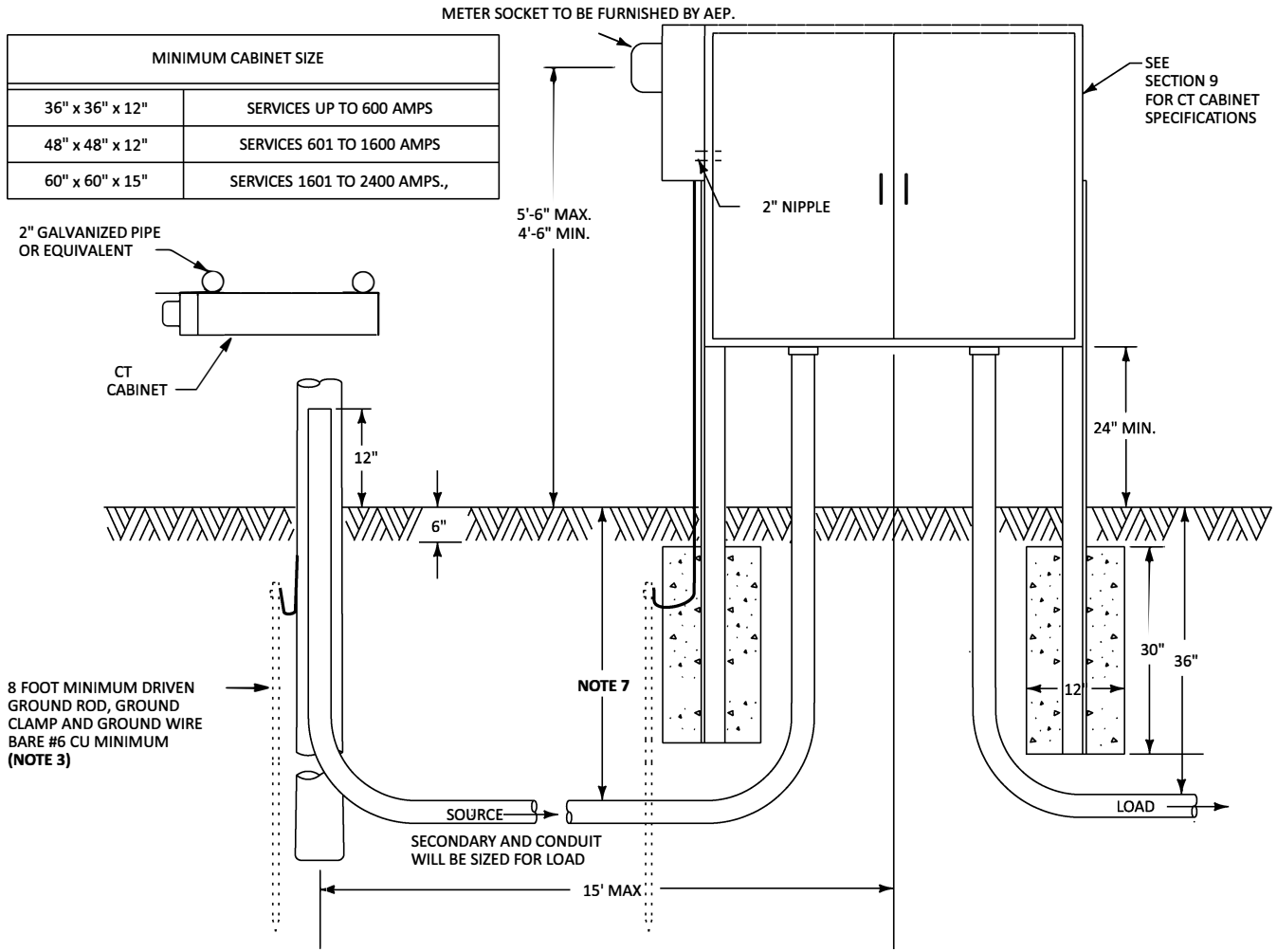
NOTES:

1. CT CABINET, FURNISHED AND INSTALLED BY CUSTOMER, SHALL BE OF SUBSTANTIAL STRENGTH WITH CORROSION PROTECTION, SUCH AS PAINTED GALVANIZED STEEL NEMA 3R. ALUMINUM OR FIBER REINFORCED POLYESTER ENCLOSURES MUST BE USED IN CORROSIVE AREAS. IT SHALL BE FITTED WITH HINGED DOOR(S) AND SHALL HAVE PROVISIONS FOR INSTALLING AN COMPANY PADLOCK AND SEAL THE INSIDE BACK OF THE CABINET SHALL BE ENTIRELY COVERED BY 3/4" TREATED PLYWOOD FOR MOUNTING THE CURRENT TRANSFORMERS OR (AEP TEXAS) SUITABLE MOUNTING BRACKETS MAY BE PROVIDED. A GROUNDING LUG SHALL BE PROVIDED TO GROUND THE CABINET.
2. THE WHITE DOT POLARITY MARK ON THE CT SHALL BE TOWARD THE ENERGY SOURCE OR LINE SIDE.
3. CUSTOMER SHOULD MOUNT THE METER SOCKET OR CABINET NEXT TO THE CT CABINET AND INSTALL 2" CONDUIT BETWEEN THE TWO. IF THE METER SOCKET CANNOT BE INSTALLED NEXT TO THE CT CABINET, IT MAY BE LOCATED UP TO 20 FEET AWAY WITH COMPANY METER SERVICES APPROVAL. 2" CONDUIT SHALL CONNECT THE SOCKET AND CT CABINET.
4. THE CT CABINET AND METER SOCKET SHALL BE GROUNDED. THE METER SOCKET AND CT CABINET SHALL BE BONDED THROUGH A SEPARATE EQUIPMENT-GROUNDING CONDUCTOR CONNECTED TO THE GROUNDED SERVICE CONDUCTOR (USUALLY THE NEUTRAL). IF A GROUNDED SERVICE CONDUCTOR DOES NOT EXIST THEN GROUNDING AND BONDING OF METERING EQUIPMENT MUST BE ESTABLISHED THROUGH A GROUNDING ELECTRODE SYSTEM ESTABLISHED AT THE POINT OF SERVICE. IN SOME JURISDICTIONS THE GROUNDING OF THE METER SOCKET AND INSTRUMENT TRANSFORMER ENCLOSURE WILL BE SUPPLEMENTED WITH THE USE OF A DRIVEN GROUND ROD IN ADDITION TO BONDING TO THE GROUNDED SERVICE CONDUCTOR.
5. COMPANY WILL INSTALL THE SECONDARY WIRING BETWEEN THE CT AND THE METER SOCKET.
6. THE CONDUCTOR SPLICE SHALL BE MADE WITH BOLTED CONNECTIONS FURNISHED AND INSTALLED BY CUSTOMER WHERE REQUIRED. **IN AEP TEXAS, WHEN THE CUSTOMER OWNS AND INSTALLS BOTH THE LINE AND LOAD CONDUCTORS, THE CONDUCTOR SHALL PASS THROUGH THE CT'S CABINET WITHOUT SPLICES.**
7. FOR CT CABINET CLEARANCES REFERENCE FIGURE 20A
8. FOR CT CABINET CLEARANCES ON CATWALK INSTALLATIONS REFERENCE FIGURE 21A

8 FOOT MINIMUM DRIVEN GROUND ROD AND GROUND CLAMP AND GROUND WIRE BARE #6 CU MINIMUM

★ SPLICE IS REQUIRED IN AEP: KENTUCY, OHIO, OKLAHOMA.

CURRENT TRANSFORMER CABINETS OVERHEAD OR UNDERGROUND SERVICE WINDOW TYPE CT'S AND VT'S 277/480 VOLT
FIGURE 11B



NOTES:

1. CT CABINET, FURNISHED AND INSTALLED BY CUSTOMER, SHALL BE OF SUBSTANTIAL STRENGTH WITH CORROSION PROTECTION, SUCH AS PAINTED GALVANIZED STEEL NEMA 3R. *ALUMINUM OR FIBER REINFORCED POLYESTER ENCLOSURES MUST BE USED IN CORROSIVE AREAS.* IT SHALL HAVE PROVISIONS FOR INSTALLING AN AEP PADLOCK AND SEAL. THE INSIDE BACK OF THE CABINET SHALL BE ENTIRELY COVERED BY 3/4" TREATED PLYWOOD FOR MOUNTING THE CURRENT TRANSFORMERS OR (AEP TEXAS) SUITABLE MOUNTING BRACKETS MAY BE PROVIDED. A GROUNDING LUG SHALL BE PROVIDED TO GROUND THE CABINET.
(EXCEPTIONS TO THIS REQUIREMENT OF ALUMINUM CONSTRUCTION MAYBE BE ALLOWED ON A CASE-BY-CASE SITUATION, DUE TO CURRENT SUPPLY CHAIN ISSUE. PLEASE CONTACT YOUR AEP REPRESENTATIVE FOR MORE INFORMATION.)
Notes: AEP is not responsible for the increased deterioration of components and shorter component life of equipment due to this exception.
2. THE WHITE DOT POLARITY MARK ON THE CT SHALL BE TOWARD THE ENERGY SOURCE OR LINE SIDE.
3. CUSTOMER SHOULD MOUNT THE METER SOCKET ON THE CT CABINET AND INSTALL 2" NIPPLE BETWEEN THE TWO.
4. THE CT CABINET AND METER SOCKET SHALL BE GROUNDED. THE METER SOCKET AND CT CABINET SHALL BE BONDED THROUGH A SEPARATE EQUIPMENT -GROUNDING CONDUCTOR CONNECTED TO THE GROUNDED SERVICE CONDUCTOR (USUALLY THE NEUTRAL). IF A GROUNDED SERVICE CONDUCTOR DOES NOT EXIST THEN GROUNDING AND BONDING OF METERING EQUIPMENT MUST BE ESTABLISHED THROUGH A GROUNDING ELECTRODE SYSTEM ESTABLISHED AT THE POINT OF SERVICE. IN SOME JURISDICTIONS THE GROUNDING OF THE METER SOCKET AND INSTRUMENT TRANSFORMER ENCLOSURE WILL BE SUPPLEMENTED WITH THE USE OF A DRIVEN GROUND ROD IN ADDITION TO BONDING TO THE GROUNDED SERVICE CONDUCTOR.
5. COMPANY WILL INSTALL THE METER CONTROL CABLE BETWEEN THE CT AND THE METER SOCKET.
6. THE CONDUCTOR SPLICE SHALL BE MADE WITH BOLTED CONNECTIONS FURNISHED AND INSTALLED BY CUSTOMER WHERE REQUIRED. IN AEP TEXAS NORTH AND CENTRAL WHERE THE CUSTOMER OWNS AND INSTALLS BOTH THE LINE AND LOAD CONDUCTORS, THE CONDUCTOR SHALL PASS THROUGH THE CT'S WITHOUT SPICE.

7. BURIAL DEPTH IS THE DISTANCE BETWEEN FINAL GRADE AND THE TOP OF THE BURIED CABLE OR CONDUIT. THE POWER COMPANY (AEP) SHALL SPECIFY THE REQUIRED BURIAL DEPTH PER OPERATING COMPANY AS PRESCRIBED IN THE PROCEEDING LIST:

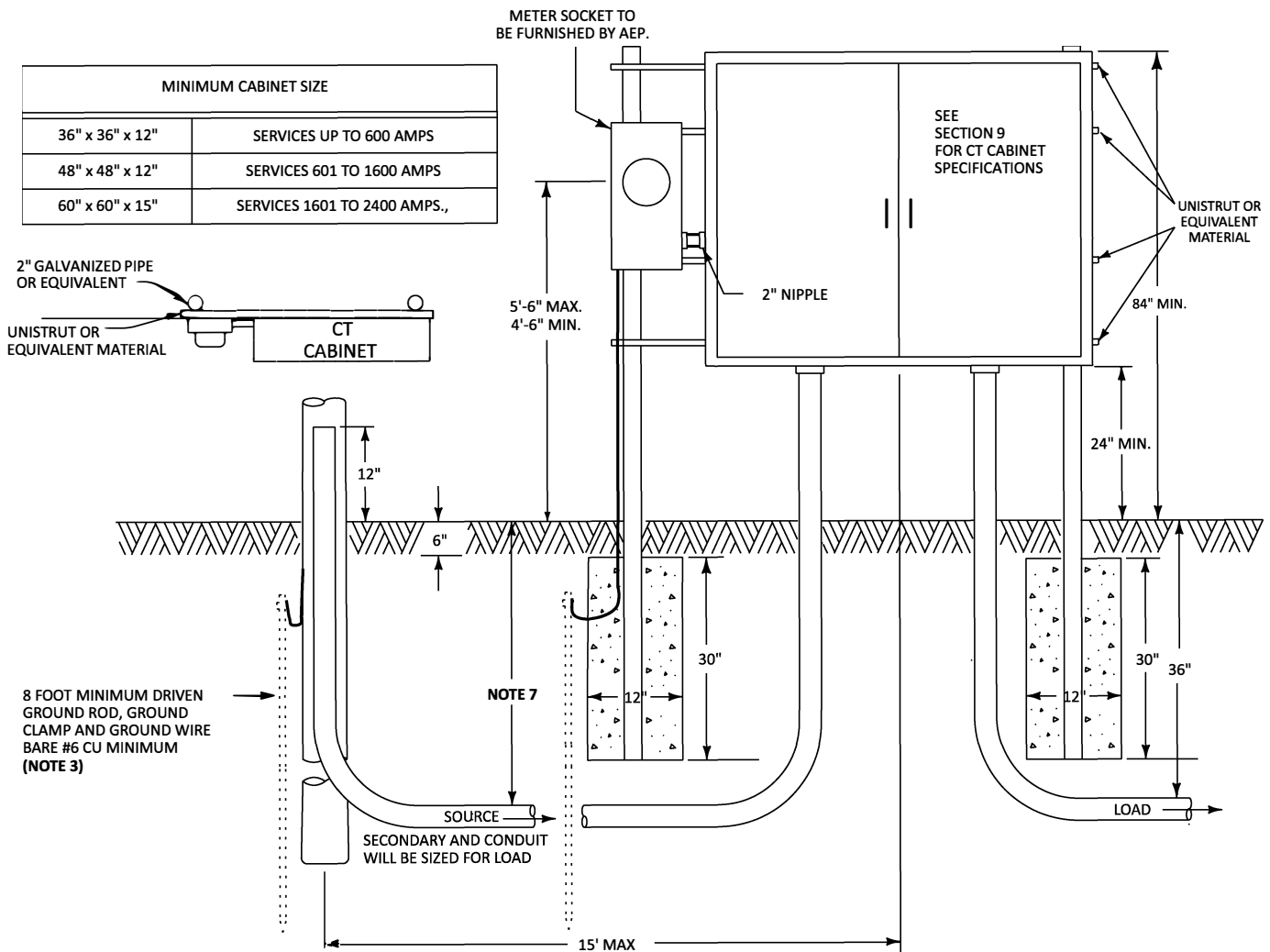
| | |
|--------|----------------------------------|
| APCO | = REQUIRES A BURIAL DEPTH OF 30" |
| I & M | = REQUIRES A BURIAL DEPTH OF 30" |
| OHIO | = REQUIRES A BURIAL DEPTH OF 30" |
| TEXAS | = REQUIRES A BURIAL DEPTH OF 36" |
| PSO | = REQUIRES A BURIAL DEPTH OF 36" |
| SWEPKO | = REQUIRES A BURIAL DEPTH OF 36" |

AND/OR CONFORM TO ANY OR ALL AUTHORITY HAVING JURISDICTION. THE POWER COMPANY (AEP) HAS PRESCRIBED THE BURIAL DEPTH SHALL NOT BE LESS THAN STATED DEPTH ON THE PRECEDING LIST UNLESS IMPOSSIBLE TO BE ACHIEVED OR IS SUPERSEDED BY LOCAL AUTHORITY HAVING JURISDICTION. IF THE DEPTH IS IMPOSSIBLE TO ACHIEVED AEP'S VERIFICATION WILL BE NEEDED. HOWEVER, NOT TO BE LESS THAN WHAT IS STATED IN THE NATIONAL ELECTRICAL CODE'S ARTICLES AND TABLES: ARTICLE 300: 300.3(B) (1), 300.3 (C) (1) (2), TABLE 300.5, AND TABLE 300.50

8. THE COMPANY WILL BE RESPONSIBLE FOR: DESIGNATING THE LOCATION FOR THE TRENCH AND THE METER. PROVIDING AND INSTALLING THE UNDERGROUND SERVICE LATERAL IN SERVICE TERRITORIES WHERE REQUIRED. PROVIDING THE METER BASE TO THE CUSTOMER WHERE REQUIRED.
9. THE CUSTOMER WILL BE RESPONSIBLE FOR: PROVIDING AND INSTALLING THE RISER ASSEMBLY. RISER ASSEMBLY TO CONSIST OF AN INSULATING BUSHING, LOCKNUT, THREADED ADAPTER, GALVANIZED OR SCHEDULE 80 PVC CONDUIT WITH BELL END AND CLAMP. INSTALLATION OF EQUIPMENT TO BE IN ACCORDANCE WITH POWER COMPANY STANDARDS, AND/OR LOCAL ORDINANCES OR CODES.
10. FOR CT CABINET CLEARANCES REFERENCE 20A.

CURRENT TRANSFORMER CABINET FREE STANDING OVERHEAD TO UNDERGROUND SERVICE

FIGURE 12



NOTES:

1. CT CABINET, FURNISHED AND INSTALLED BY CUSTOMER, SHALL BE OF SUBSTANTIAL STRENGTH WITH CORROSION PROTECTION, SUCH AS PAINTED GALVANIZED STEEL NEMA 3R. ALUMINUM OR FIBER REINFORCED POLYESTER ENCLOSURES MUST BE USED IN CORROSIVE AREAS. IT SHALL HAVE PROVISIONS FOR INSTALLING AN AEP PADLOCK AND SEAL. THE INSIDE BACK OF THE CABINET SHALL BE ENTIRELY COVERED BY 3/4" TREATED PLYWOOD FOR MOUNTING THE CURRENT TRANSFORMERS OR (AEP TEXAS) SUITABLE MOUNTING BRACKETS MAY BE PROVIDED. A GROUNDING LUG SHALL BE PROVIDED TO GROUND THE CABINET.
(EXCEPTIONS TO THIS REQUIREMENT OF ALUMINUM CONSTRUCTION MAYBE BE ALLOWED ON A CASE-BY-CASE SITUATION, DUE TO CURRENT SUPPLY CHAIN ISSUE. PLEASE CONTACT YOUR AEP REPRESENTATIVE FOR MORE INFORMATION.)
Notes: AEP is not responsible for the increased deterioration of components and shorter component life of equipment due to this exception.
2. THE WHITE DOT POLARITY MARK ON THE CT SHALL BE TOWARD THE ENERGY SOURCE OR LINE SIDE.
3. CUSTOMER SHOULD MOUNT THE METER SOCKET ON THE CT CABINET AND INSTALL 2" NIPPLE BETWEEN THE TWO.
4. THE CT CABINET AND METER SOCKET SHALL BE GROUNDED. THE METER SOCKET AND CT CABINET SHALL BE BONDED THROUGH A SEPARATE EQUIPMENT -GROUNDING CONDUCTOR CONNECTED TO THE GROUNDED SERVICE CONDUCTOR (USUALLY THE NEUTRAL). IF A GROUNDED SERVICE CONDUCTOR DOES NOT EXIST THEN GROUNDING AND BONDING OF METERING EQUIPMENT MUST BE ESTABLISHED THROUGH A GROUNDING ELECTRODE SYSTEM ESTABLISHED AT THE POINT OF SERVICE. IN SOME JURISDICTIONS THE GROUNDING OF THE METER SOCKET AND INSTRUMENT TRANSFORMER ENCLOSURE WILL BE SUPPLEMENTED WITH THE USE OF A DRIVEN GROUND ROD IN ADDITION TO BONDING TO THE GROUNDED SERVICE CONDUCTOR.
5. COMPANY WILL INSTALL THE METER CONTROL CABLE BETWEEN THE CT AND THE METER SOCKET.
6. THE CONDUCTOR SPLICE SHALL BE MADE WITH BOLTED CONNECTIONS FURNISHED AND INSTALLED BY CUSTOMER WHERE REQUIRED. IN AEP TEXAS NORTH AND CENTRAL WHERE THE CUSTOMER OWNS AND INSTALLS BOTH THE LINE AND LOAD CONDUCTORS, THE CONDUCTOR SHALL PASS THROUGH THE CT'S WITHOUT SPLICE.

7. BURIAL DEPTH IS THE DISTANCE BETWEEN FINAL GRADE AND THE TOP OF THE BURIED CABLE OR CONDUIT. THE POWER COMPANY (AEP) SHALL SPECIFY THE REQUIRED BURIAL DEPTH PER OPERATING COMPANY AS PRESCRIBED IN THE PROCEEDING LIST:

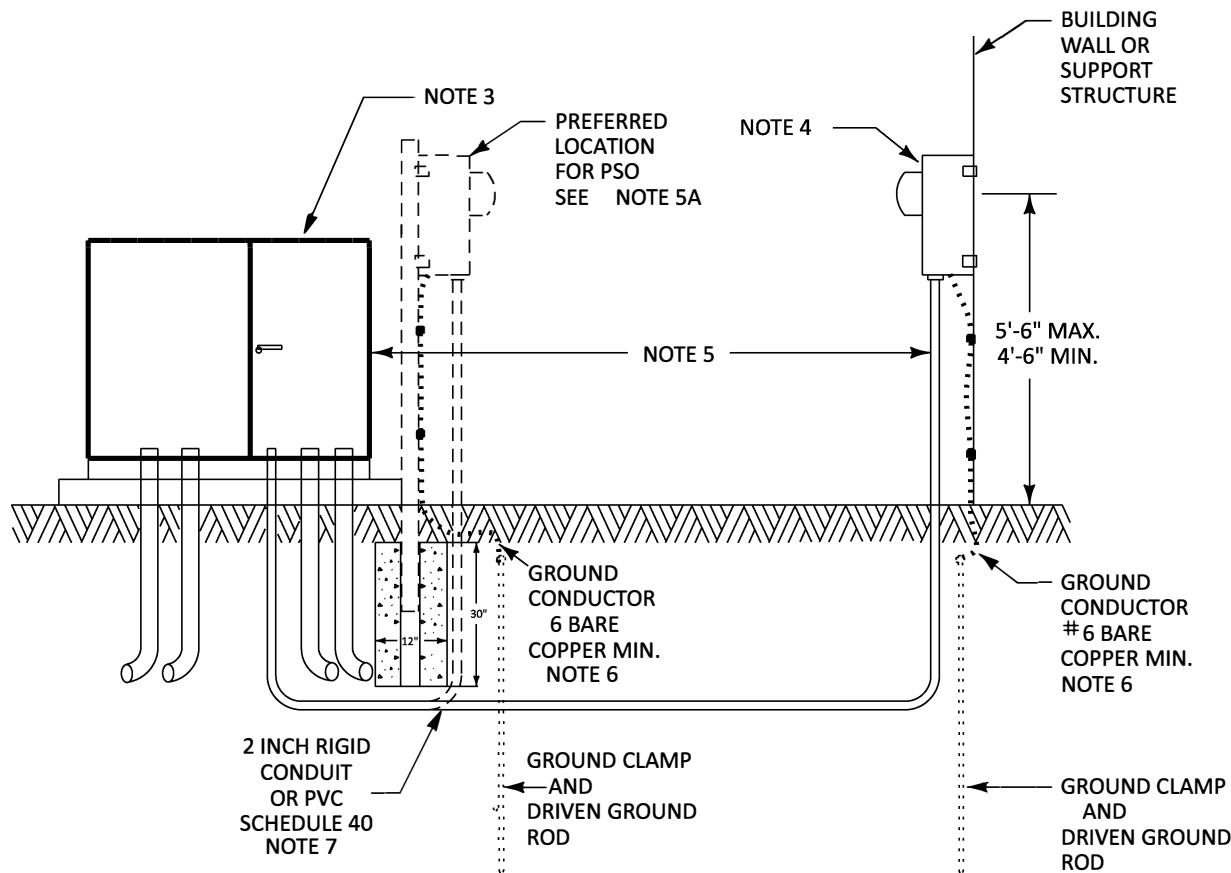
| | |
|--------|----------------------------------|
| APCO | = REQUIRES A BURIAL DEPTH OF 30" |
| I & M | = REQUIRES A BURIAL DEPTH OF 30" |
| OHIO | = REQUIRES A BURIAL DEPTH OF 30" |
| TEXAS | = REQUIRES A BURIAL DEPTH OF 36" |
| PSO | = REQUIRES A BURIAL DEPTH OF 36" |
| SWEPCO | = REQUIRES A BURIAL DEPTH OF 36" |

AND/OR CONFORM TO ANY OR ALL AUTHORITY HAVING JURISDICTION. THE POWER COMPANY (AEP) HAS PRESCRIBED THE BURIAL DEPTH SHALL NOT BE LESS THAN STATED DEPTH ON THE PRECEDING LIST UNLESS IMPOSSIBLE TO BE ACHIEVED OR IS SUPERSEDED BY LOCAL AUTHORITY HAVING JURISDICTION. IF THE DEPTH IS IMPOSSIBLE TO ACHIEVED AEP'S VERIFICATION WILL BE NEEDED. HOWEVER, NOT TO BE LESS THAN WHAT IS STATED IN THE NATIONAL ELECTRICAL CODE'S ARTICLES AND TABLES: ARTICLE 300: 300.3(B) (1), 300.3 (C) (1) (2), TABLE 300.5, AND TABLE 300.50

8. THE COMPANY WILL BE RESPONSIBLE FOR: DESIGNATING THE LOCATION FOR THE TRENCH AND THE METER. PROVIDING AND INSTALLING THE UNDERGROUND SERVICE LATERAL IN SERVICE TERRITORIES WHERE REQUIRED. PROVIDING THE METER BASE TO THE CUSTOMER WHERE REQUIRED.
9. THE CUSTOMER WILL BE RESPONSIBLE FOR: PROVIDING AND INSTALLING THE RISER ASSEMBLY. RISER ASSEMBLY TO CONSIST OF AN INSULATING BUSHING, LOCKNUT, THREADED ADAPTER, GALVANIZED OR SCHEDULE 80 PVC CONDUIT WITH BELL END AND CLAMP. INSTALLATION OF EQUIPMENT TO BE IN ACCORDANCE WITH POWER COMPANY STANDARDS, AND/OR LOCAL ORDINANCES OR CODES.
10. FOR CT CABINET CLEARANCES REFERENCE 20A.

**CURRENT TRANSFORMER CABINET FREE STANDING OVERHEAD TO UNDERGROUND SERVICE
ALTERNATE METER INSTALLATION**

FIGURE 12B

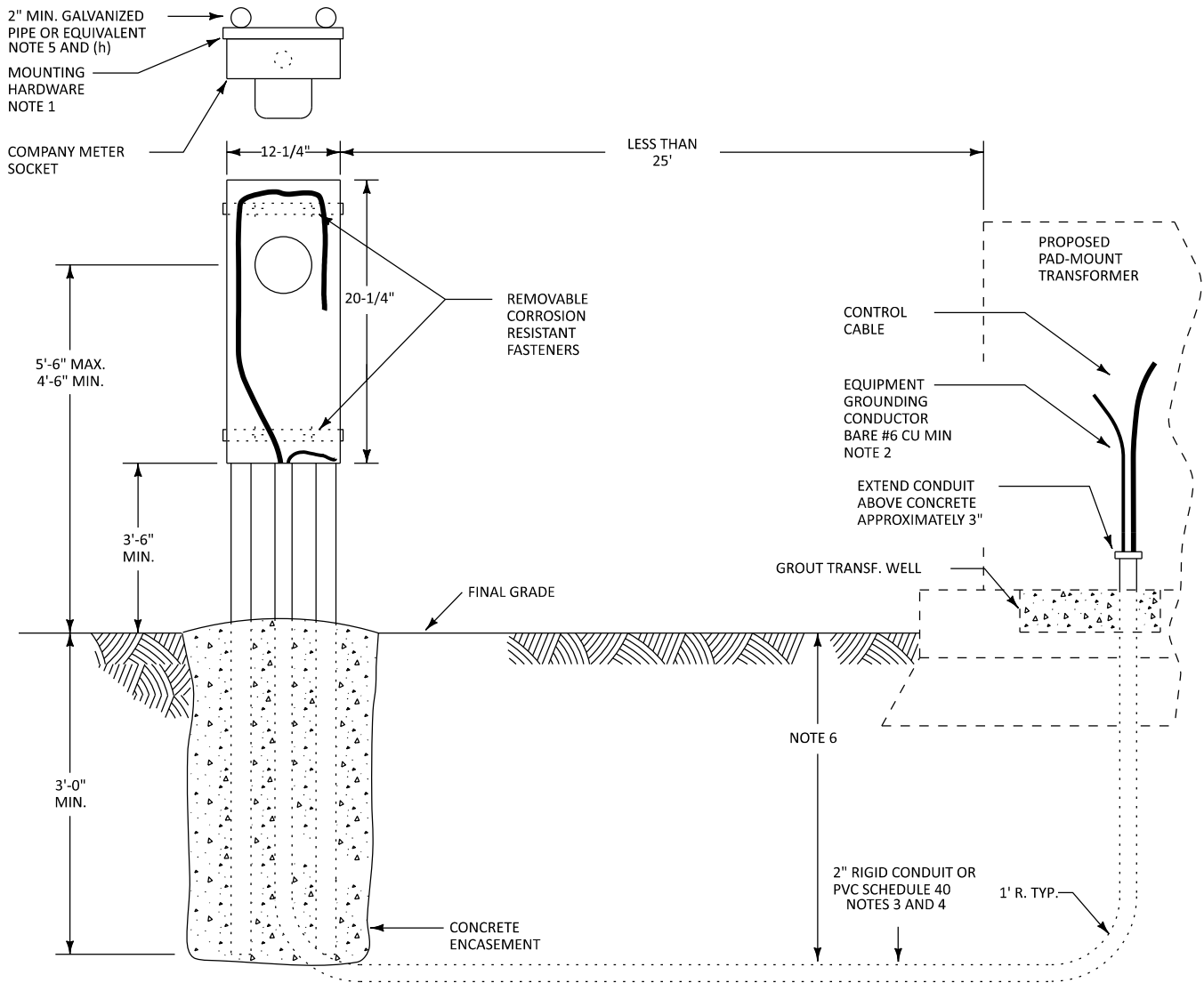


NOTES:

1. INSTRUMENT TRANSFORMERS (CTS) ARE FURNISHED AND INSTALLED BY COMPANY PRIOR TO CONNECTION OF CUSTOMER SERVICE CABLES.
2. CUSTOMER SHALL PROVIDE NEMA TYPE TERMINAL LUGS FOR CUSTOMER OWNED SERVICE CONDUCTORS WHERE REQUIRED. POWER COMPANY TO SECURE CABLE TERMINATIONS. STACKING LUGS MAY BE REQUIRED TO ACCOMMODATE THE NUMBER OF SERVICE CONDUCTORS PER TRANSFORMER BUSHING.
3. THIS STANDARD IS APPLICABLE FOR A SINGLE CUSTOMER PAD-MOUNTED TRANSFORMER.
4. COMPANY PROVIDES METER SOCKET TO BE INSTALLED BY CUSTOMER, OR CONTRACTOR, IN A PLUMB POSITION AT LOCATION, USING REMOVABLE CORROSION RESISTANT FASTENERS, REFER TO FIGURE 14. FOR WORKING DISTANCE CLEARANCES REFER TO FIGURE 20.
5. TRANSFORMER PAD LOCATION AND LOCATION OF CONDUITS FOR CONDUCTOR/METER CONTROL CABLE TO BE SPECIFIED BY AEP. THE METER LOCATION IS TO BE A MINIMUM OF 3 FEET AWAY AND WITHIN 25 FEET OF THE TRANSFORMER PAD LOCATION. WHEN THE BUILDING IS LOCATED AT A DISTANCE GREATER THAN 25 FEET FROM THE TRANSFORMER PAD LOCATION, THE METER IS TO BE MOUNTED ON A SUPPORT STRUCTURE AT A LOCATION WHERE THE DISTANCE FROM THE TRANSFORMER PAD LOCATION IS NOT GREATER THAN 25 FEET. FOR FREE STANDING METERING FACILITIES REQUIREMENTS, REFER TO FIGURE 14.
- 5A. PSO REQUIRES THE METER LOCATION TO BE SECURED TO THE SIDE OF THE PAD WITH AN ANCHORING SYSTEM ON THE SECONDARY SIDE OF THE TRANSFORMER PAD, IN ADDITION TO BEING ENCASED IN CONCRETE OR LOCATED ON THE BUILDING STRUCTURE, IF WITHIN 25 FEET OF THE TRANSFORMER PAD LOCATION. REFER TO FIGURE 14."
6. THE METER SOCKET SHALL BE GROUNDED. THE METER SOCKET SHALL BE BONDED THROUGH A SEPARATE EQUIPMENT-GROUNDING CONDUCTOR CONNECTED TO THE GROUNDED SERVICE CONDUCTOR (USUALLY THE NEUTRAL). IN SOME JURISDICTIONS THE GROUNDING OF THE METER SOCKET WILL BE SUPPLEMENTED WITH THE USE OF A DRIVEN GROUND ROD IN ADDITION TO BONDING TO THE GROUNDED SERVICE CONDUCTOR.
7. SCHEDULE 80 RIGID CONDUIT REQUIRED FOR DRIVEWAYS AND PARKING LOTS.
8. THE CUSTOMER WILL BE RESPONSIBLE TO PULL CONTROL CABLE AND EQUIPMENT GROUND IN CONDUIT FROM METER SOCKET TO PAD MOUNT TRANSFORMER. IF CONTROL CABLE IS NOT AVAILABE, A PULL STRING WILL BE PROVIDED BY THE CUSTOMER.

PAD-MOUNT TRANSFORMER METERING INSTALLATION

FIGURE 13



GENERAL CONDITION NOTES:

THE COMPANY WILL BE RESPONSIBLE FOR:

- (a) FURNISHING DESIGN SHORT CIRCUIT VALUE IF REQUIRED.
- (b) FURNISHING THE METER SOCKET AND CONTROL CABLE TO CUSTOMER.
- (c) INSTALLING AND REMOVING THE METER.

THE CUSTOMER WILL BE RESPONSIBLE FOR:

- (d) FURNISHING AND INSTALLING THE METER STRUCTURE AS SHOWN ABOVE.
- (e) FURNISHING AND INSTALLING THE METER CONDUIT TO THE PAD-MOUNT TRANSFORMER.
- (f) PULL CONTROL CABLE AND EQUIPMENT GROUND IN CONDUIT FROM METER SOCKET TO PAD MOUNT TRANSFORMER. IF CONTROL CABLE IS NOT AVAILABLE, A PULL STRING WILL BE PROVIDED BY THE CUSTOMER.
- (g) INSTALLING METER SOCKET AT LOCATION USING REMOVABLE CORROSION RESISTANT FASTENERS.
- (h) INSTALLING GALVANIZED SUPPORT PIPES WHICH SHALL BE CAPPED OR FILLED WITH CONCRETE.
- (i) THIS DESIGN IS FOR FREE STANDING METER SOCKET LOCATED ADJACENT TO A PAD-MOUNT TRANSFORMER.

GENERAL CONSTRUCTION NOTES:

- 1. USE TWO 12 GAUGE 1-5/8" x 1-5/8" CONTINUOUS SLOT HOT DIPPED GALVANIZED CHANNEL (e.g., UNISTRUT) COMPLETE WITH 1-1/4" x 5/16" DIA. 13 THD SPRING NUT (2 PER CHANNEL), 5/16" HEX NUT, AND LOCK WASHER SECURELY MOUNTED TO SUPPORT POST.
- 2. THE METER SOCKET SHALL BE GROUNDED. THE METER SOCKET SHALL BE BONDED THROUGH A SEPARATE EQUIPMENT-GROUNDING CONDUCTOR CONNECTED TO THE GROUNDED SERVICE CONDUCTOR

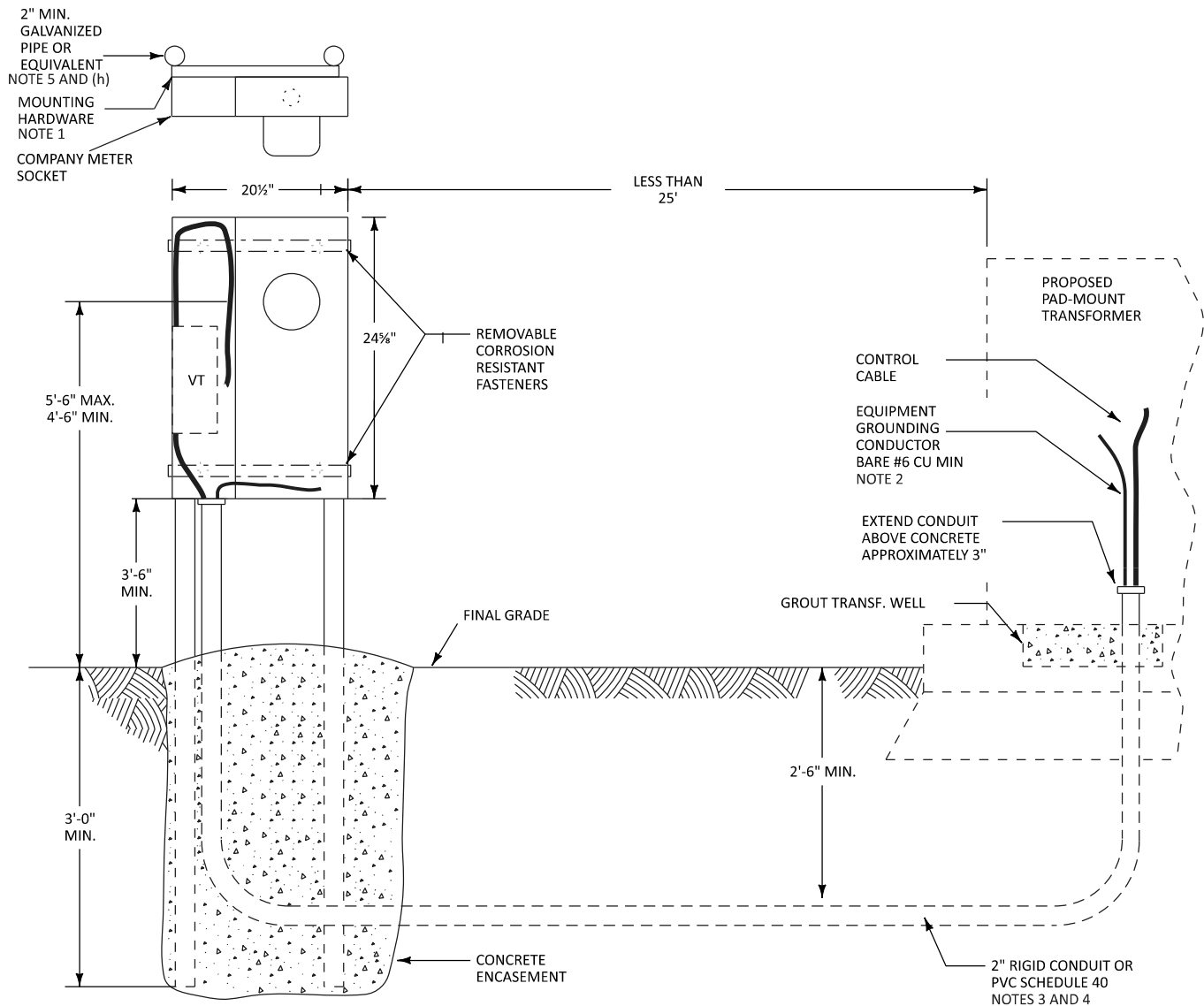
GENERAL CONSTRUCTION NOTES CONTINUED:

- 3. IF THE CUSTOMER DOES THE TRENCHING, THE TRENCH IS TO EXTEND NO CLOSER TO THE POWER COMPANY'S TRANSFORMER OR PEDESTAL THAN A DISTANCE SPECIFIED BY THE POWER COMPANY. CUSTOMER TO DETERMINE LOCATION OF ALL UTILITIES BEFORE TRENCHING.
- 4. SCHEDULE 80 RIGID CONDUIT REQUIRED FOR DRIVEWAYS AND PARKING LOTS.
- 5. EQUIVALENT MUST BE PREAPPROVED BY METER SERVICES.
- 6. BURIAL DEPTH IS THE DISTANCE BETWEEN FINAL GRADE AND THE TOP OF THE BURIED CABLE OR CONDUIT. THE POWER COMPANY (AEP) SHALL SPECIFY THE REQUIRED BURIAL DEPTH PER OPERATING COMPANY AS PRESCRIBED IN THE PROCEEDING LIST:

| | |
|--------|----------------------------------|
| APCO | = REQUIRES A BURIAL DEPTH OF 30" |
| KYPCO | = REQUIRES A BURIAL DEPTH OF 30" |
| I & M | = REQUIRES A BURIAL DEPTH OF 30" |
| OHIO | = REQUIRES A BURIAL DEPTH OF 30" |
| TEXAS | = REQUIRES A BURIAL DEPTH OF 36" |
| PSO | = REQUIRES A BURIAL DEPTH OF 36" |
| SWEPCO | = REQUIRES A BURIAL DEPTH OF 36" |

AND/OR CONFORM TO ANY OR ALL AUTHORITY HAVING JURISDICTION. THE POWER COMPANY (AEP) HAS PRESCRIBED THE BURIAL DEPTH SHALL NOT BE LESS THAN STATED DEPTH ON THE PRECEDING LIST UNLESS IMPOSSIBLE TO BE ACHIEVED OR IS SUPERSEDED BY LOCAL AUTHORITY HAVING JURISDICTION. IF THE DEPTH IS IMPOSSIBLE TO ACHIEVED AEP'S VERIFICATION WILL BE NEEDED. HOWEVER, NOT TO BE LESS THAN WHAT IS STATED IN THE NATIONAL ELECTRICAL CODE'S ARTICLES AND TABLES: ARTICLE 300: 300.3(B) (1), 300.3 (C) (1) (2), TABLE 300.5, AND TABLE 300.50

**METER INSTALLATION
FROM PAD-MOUNT TRANSFORMER USING BUSHING TYPE CT'S
FIGURE 14**



GENERAL CONDITION NOTES:

THE COMPANY WILL BE RESPONSIBLE FOR:

- (a) FURNISHING DESIGN SHORT CIRCUIT VALUE IF REQUIRED.
- (b) FURNISHING THE METER SOCKET AND CONTROL CABLE TO CUSTOMER.
- (c) INSTALLING AND REMOVING THE METER.

THE CUSTOMER WILL BE RESPONSIBLE FOR:

- (d) FURNISHING AND INSTALLING THE METER STRUCTURE AS SHOWN ABOVE.
- (e) FURNISHING AND INSTALLING THE METER CONDUIT TO THE PAD-MOUNT TRANSFORMER.
- (f) PULL CONTROL CABLE AND EQUIPMENT GROUND IN CONDUIT FROM METER SOCKET TO PAD MOUNT TRANSFORMER. IF CONTROL CABLE IS NOT AVAILABLE, A PULL STRING WILL BE PROVIDED BY THE CUSTOMER.
- (g) INSTALLING METER SOCKET AT LOCATION USING REMOVABLE CORROSION RESISTANT FASTENERS.
- (h) INSTALLING GALVANIZED SUPPORT PIPES WHICH SHALL BE CAPPED OR FILLED WITH CONCRETE.
- (i) THIS DESIGN IS FOR FREE STANDING METER SOCKET LOCATED ADJACENT TO A PAD-MOUNT TRANSFORMER.

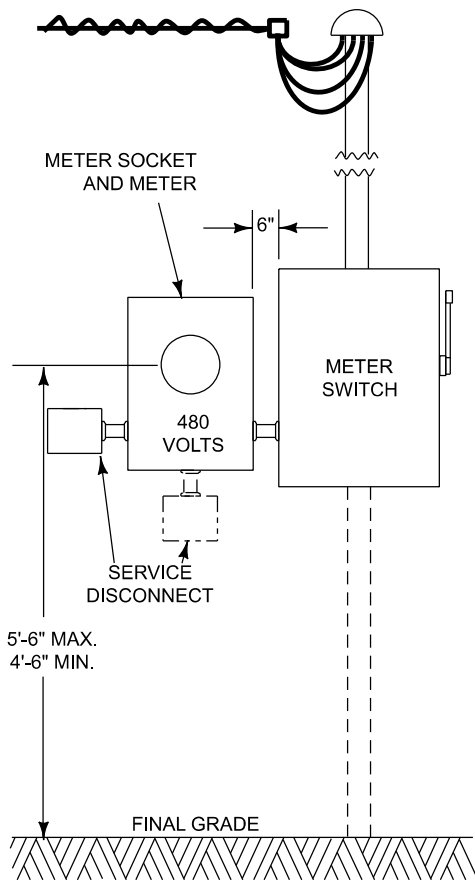
GENERAL CONSTRUCTION NOTES:

1. USE TWO 12 GAUGE 1-5/8" x 1-5/8" CONTINUOUS SLOT HOT DIPPED GALVANIZED CHANNEL (e.g., UNISTRUT) COMPLETE WITH 1-1/4" x 5/16" DIA. 13 THD SPRING NUT (2 PER CHANNEL), 5/16" HEX NUT, AND LOCK WASHER SECURELY MOUNTED TO SUPPORT POST.
2. THE METER SOCKET SHALL BE GROUNDED. THE METER SOCKET SHALL BE BONDED THROUGH A SEPARATE EQUIPMENT-GROUNDING CONDUCTOR CONNECTED TO THE GROUNDED SERVICE CONDUCTOR
3. IF THE CUSTOMER DOES THE TRENCHING, THE TRENCH IS TO EXTEND NO CLOSER TO THE POWER COMPANY'S TRANSFORMER OR PEDESTAL THAN A DISTANCE SPECIFIED BY THE POWER COMPANY. CUSTOMER TO DETERMINE LOCATION OF ALL UTILITIES BEFORE TRENCHING.
4. SCHEDULE 80 RIGID CONDUIT REQUIRED FOR DRIVEWAYS AND PARKING LOTS.
5. EQUIVALENT MUST BE PREAPPROVED BY METER SERVICES.

METER INSTALLATION
FROM PAD-MOUNT TRANSFORMER
TO METER ENCLOSURE W/ VT PACK
480V
FIGURE 14B

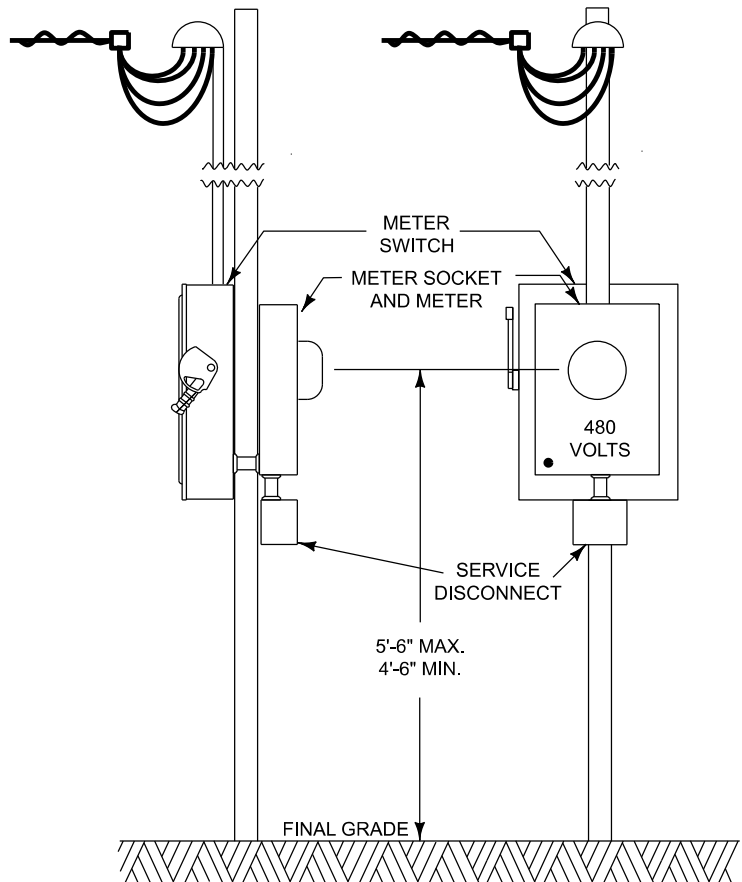
PREFERRED ARRANGEMENT

OVERHEAD/
UNDERGROUND (DASHED)

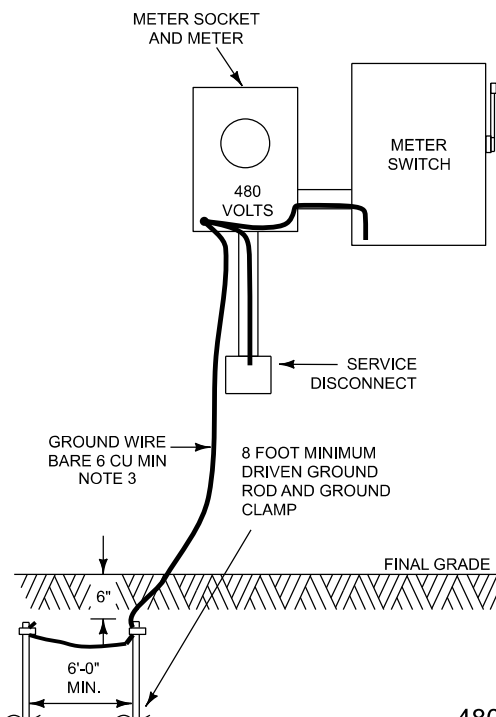


ALTERNATE ARRANGEMENT

OVERHEAD ONLY
(REQUIRES LOCAL APPROVAL)



GROUNDING DETAIL



NOTES:

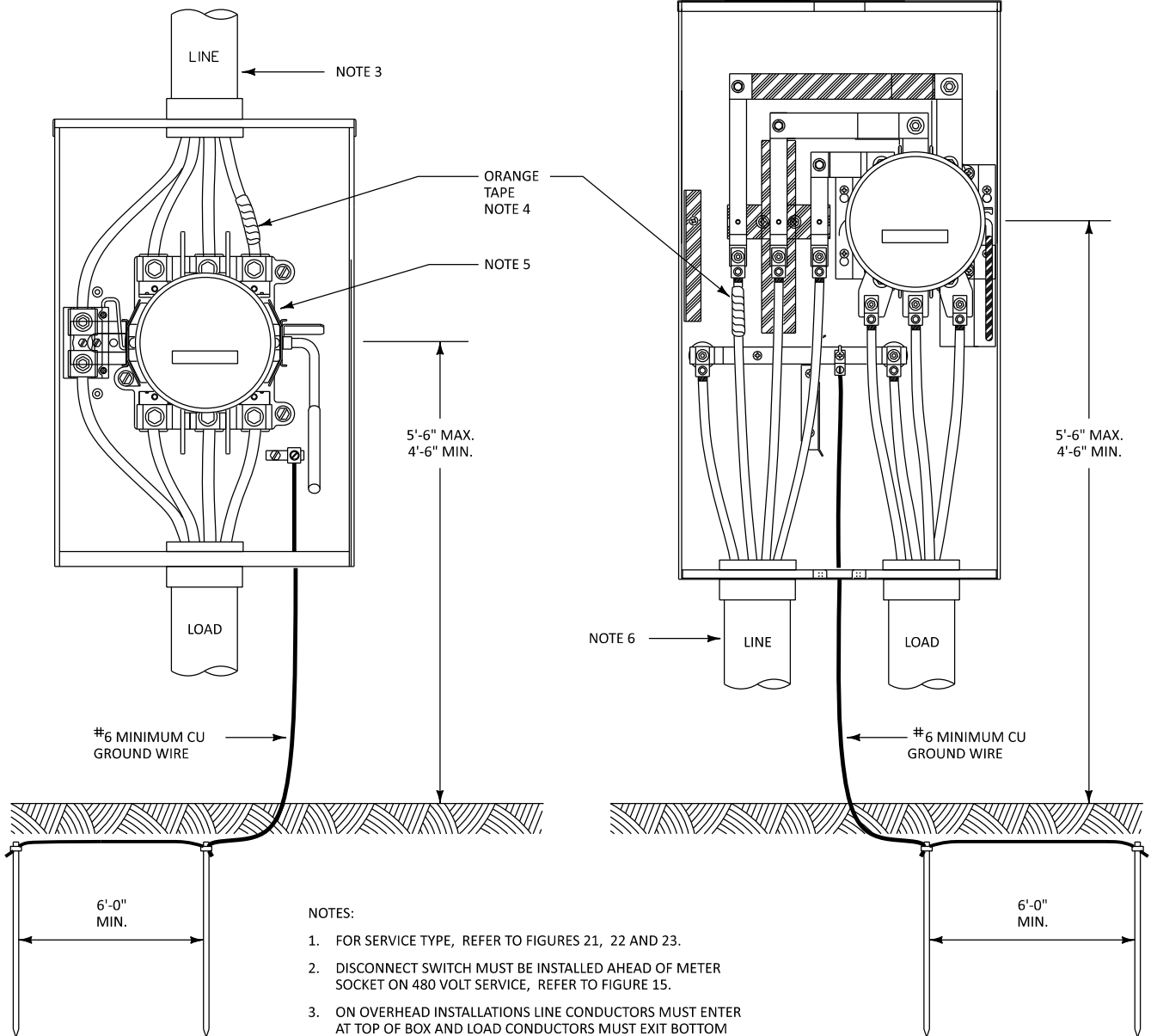
1. METER SWITCH SUPPLIED AND INSTALLED BY CUSTOMER. METER SWITCH AND METER ENCLOSURE TO BE LOCKED AND SEALED UNDER THE EXCLUSIVE CONTROL OF THE COMPANY. THE FOLLOWING COMPANIES DO NOT ALLOW 277/480 VOLT SELF-CONTAINED METERING: AEP OHIO, IMPCo, APCo, KINGSPORT POWER.
2. METER SOCKET SECURELY MOUNTED IN PLUMB POSITION BY CUSTOMER. SERVICE ATTACHMENT AND METERING INSTALLATION LOCATION TO BE SPECIFIED BY POWER COMPANY.
3. CUSTOMER GROUNDING SHALL BE IN ACCORDANCE WITH NEC AND LOCAL REGULATIONS. IN ARKANSAS, OKLAHOMA, LOUISIANA AND TEXAS, THE GROUND WIRE SHALL BE CONNECTED IN THE METER SOCKET. THE CUSTOMER SHALL HAVE A MINIMUM OF 2 DRIVEN GROUND RODS AT LEAST 6 FEET APART.
4. THE CUSTOMER'S SERVICE DISCONNECT SHALL BE GROUNDED.
5. OVERHEAD SERVICE ATTACHMENT HEIGHT PER FIGURE 5.
6. FOR UNDERGROUND SERVICE INSTALLATIONS, REFER TO FIGURE 8.
7. METER SWITCH MUST BE OPEN WHEN INSTALLING OR REMOVING THE METER.
8. METER SWITCH SHALL BE NON-FUSED, WITH A MIN RATING OF 200 AMPS, 600 VOLTS, UL LISTED, TYPE 3R FOR NON-CORROSIVE, TYPE 4X FOR CORROSIVE ENVIRONMENTS.
9. MORE INFORMATION CAN BE FOUND IN SECTION 8.05.
10. METER ENCLOSURE MUST HAVE 'FULLY RATED BY-PASS' FOR COMMERCIAL INSTALLATIONS

480V SELF CONTAINED METERING Services

FIGURE 15

THREE PHASE 4 WIRE 200 AMP
 SOCKET METER BOX WITH
 BY-PASS SWITCH
 NOTES 1 AND 2

THREE PHASE 4 WIRE 320 AMP
 SOCKET METER BOX WITH
 BY-PASS SWITCH
 NOTES 1 AND 2



NOTES:

1. FOR SERVICE TYPE, REFER TO FIGURES 21, 22 AND 23.
2. DISCONNECT SWITCH MUST BE INSTALLED AHEAD OF METER SOCKET ON 480 VOLT SERVICE, REFER TO FIGURE 15.
3. ON OVERHEAD INSTALLATIONS LINE CONDUCTORS MUST ENTER AT TOP OF BOX AND LOAD CONDUCTORS MUST EXIT BOTTOM OF BOX.
4. ON THREE PHASE FOUR WIRE DELTA SERVICES THE HIGH LEG (208 VOLT) MUST BE MARKED IN THE METER SOCKET WITH ORANGE TAPE.
5. DO NOT REMOVE PLASTIC BARRIER COVERING LINE AND LOAD METER TERMINALS.
6. ON UNDERGROUND INSTALLATIONS LINE CONDUCTORS MUST ENTER LEFT BOTTOM AND LOAD WIRES EXIT BOTTOM RIGHT.
7. MUST USE MANUFACTURER'S PROVIDED KO'S
8. METER ENCLOSURE MUST HAVE 'FULLY RATED BY-PASS' FOR COMMERCIAL INSTALLATIONS.

THREE PHASE SELF-CONTAINED METER SOCKET

FIGURE 16

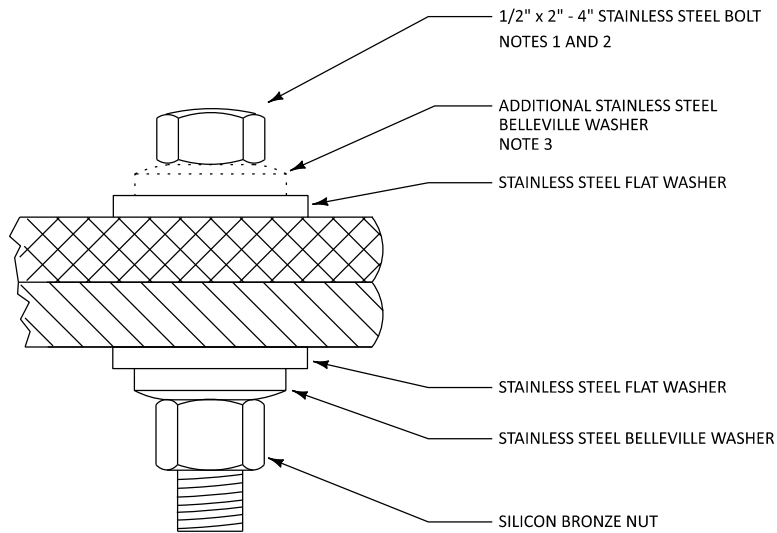


TABLE I

| INHIBITOR COMPOUND FOR FLAT SURFACE JOINTS AND BOLT LUBRICATION | |
|---|--------------------------|
| CONNECTION (PLATED & NON PLATED) | INDOOR AND OUTDOOR |
| CU TO CU | NO-OX-ID GRADE A |
| CU TO AL | ALCOA 2EJC |
| AL TO AL | |

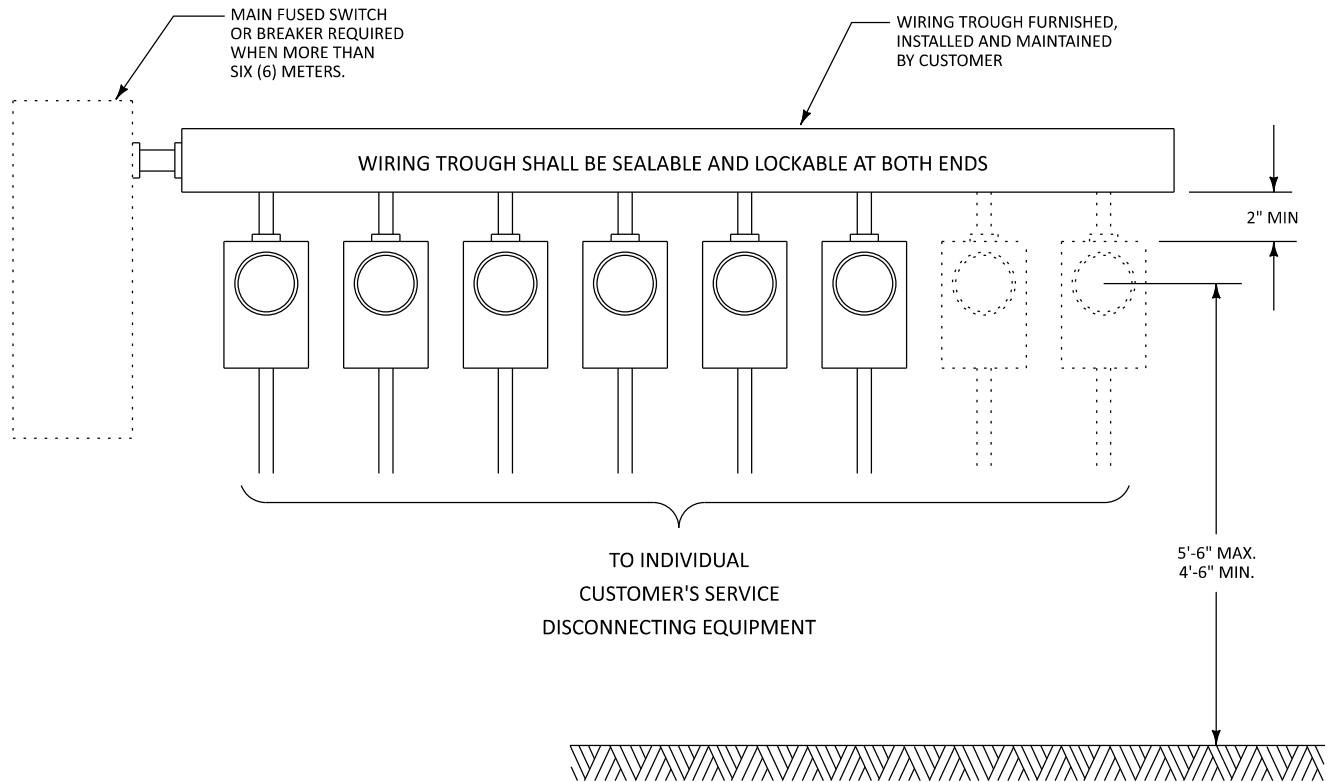
NOTES:

1. THE BOLT ASSEMBLY SHOWN HERE CAN BE USED TO BOLT ANY COMBINATION OF MATERIALS (ALL COPPER, ALL ALUMINUM OR ANY COMBINATION OF COPPER AND ALUMINUM)
2. ASSEMBLY INSTRUCTIONS:
 - (a) NON-PLATED SURFACES - THOROUGHLY CLEAN FLAT CONTACT SURFACES WITH A STAINLESS STEEL WIRE BRUSH TO REMOVE OXIDES, GREASE AND DIRT. COAT CONTACT SURFACES IMMEDIATELY WITH AN APPROVED CORROSION INHIBITING COMPOUND (TABLE I).

PLATED SURFACES - THOROUGHLY CLEAN FLAT CONTACT SURFACES WITH AN APPROVED SOLVENT (DO NOT WIRE BRUSH UNLESS THE PLATING HAS BECOME CORRODED) TO REMOVE GREASE AND DIRT. COAT CONTACT SURFACES IMMEDIATELY WITH A CORROSION INHIBITING COMPOUND (TABLE I). THIS PROCEDURE CAN ALSO BE USED ON SILVER PLATED COMPONENTS OF MANUFACTURER SUPPLIED EQUIPMENT UNLESS OTHERWISE DIRECTED BY THE MANUFACTURER'S INSTALLATION INSTRUCTIONS.
 - (b) CONNECTIONS SHOULD BE TIGHTENED TO 360 IN.-LBS. (30 FT.-LBS.).
 - (c) WIPE OFF THE EXCESS CORROSION INHIBITING COMPOUND, HOWEVER A BEAD OF COMPOUND IS DESIRABLE AROUND THE SURFACE EDGES TO ACT AS A SEALANT.
3. IF MATERIAL TO BE BOLTED EXCEEDS 3 INCHES IN THICKNESS A BELLEVILLE WASHER MUST BE USED UNDER THE BOLT HEAD.
4. WHEN THE ABOVE ASSEMBLY IS NOT AVAILABLE AND THE ASSEMBLY CANNOT BE MADE UP FROM INDIVIDUAL PARTS IN STOCK THE FOLLOWING BOLTS CAN BE USED.
 - (a) WHEN BOLTING ALUMINUM TO ALUMINUM AN ALUMINUM BOLT AND NUT CAN BE USED. AN ALUMINUM FLAT WASHER SHOULD BE USED UNDER BOTH THE BOLT HEAD AND NUT. TIGHTEN INHIBITOR LUBRICATED BOLT TO 300 IN.-LBS. (25 FT.-LBS.).
 - (b) WHEN BOLTING COPPER TO COPPER A SILICON BRONZE BOLT AND NUT CAN BE USED. A SILICON BRONZE FLAT WASHER SHOULD BE USED UNDER BOTH THE BOLT HEAD AND THE NUT. CONNECTIONS SHOULD BE TIGHTENED TO 360 IN.-LBS. (30 FT.-LBS.).
 - (c) WHEN BOLTING COPPER TO ALUMINUM A GALVANIZED STEEL BOLT, NUT, FLAT WASHERS AND STAINLESS STEEL BELLEVILLE WASHER CAN BE USED. CONNECTIONS SHOULD BE TIGHTENED TO 360 IN.-LBS. (30 FT.-LBS.).

BOLTED CONNECTOR ASSEMBLIES

FIGURE 17

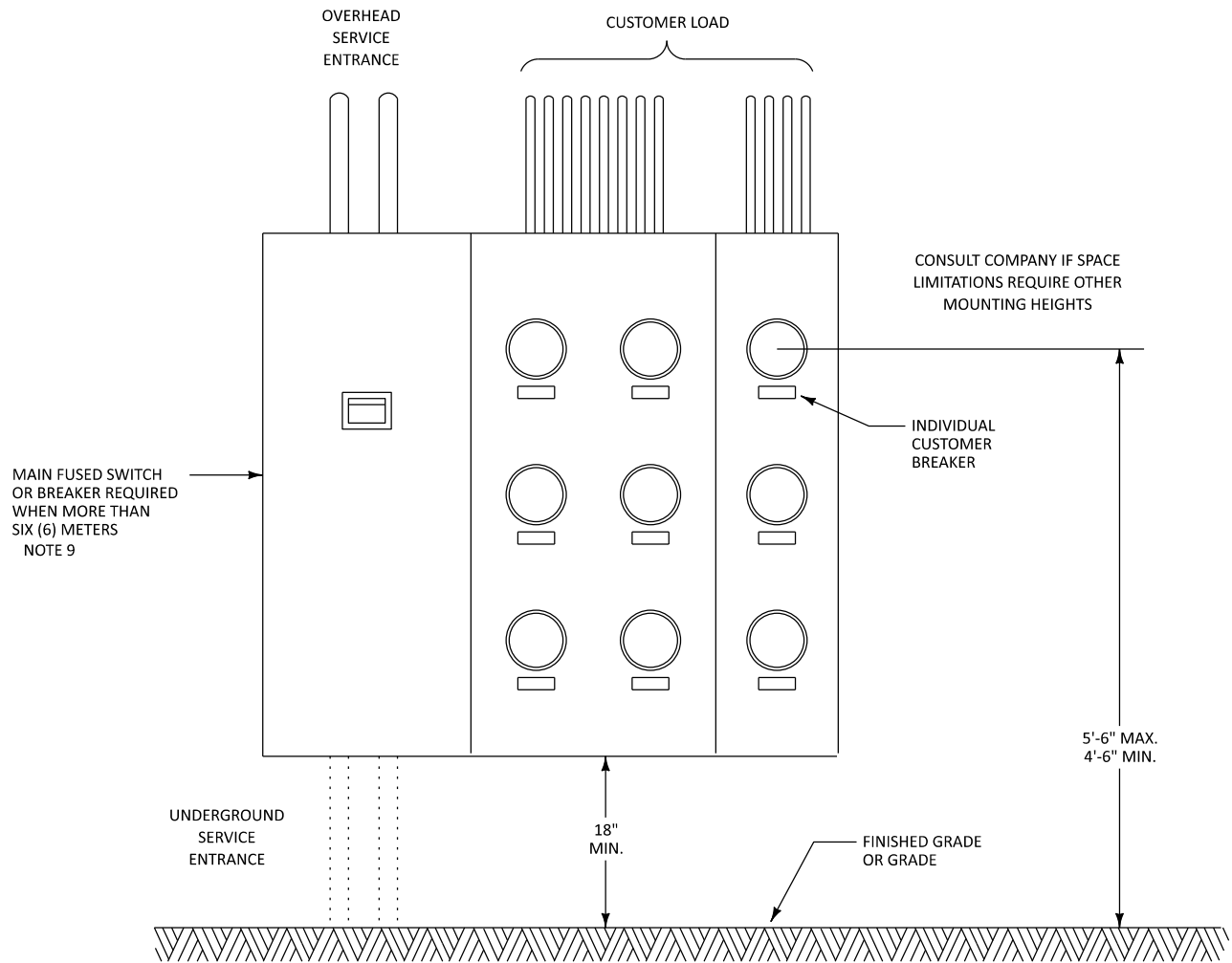


NOTES:

1. CUSTOMER MUST CONSULT WITH COMPANY FOR POINT OF ATTACHMENT OF SERVICE LATERAL OR DROP, METERING LOCATION, AND PROPOSED SERVICE ENTRANCE FACILITIES PRIOR TO PROCEEDING WITH THIS INSTALLATION.
2. ALL CUSTOMER WORK MUST BE COMPLETED AND INSPECTIONS OBTAINED BEFORE COMPANY WILL PROVIDE SERVICE.
3. CUSTOMER SHALL BE RESPONSIBLE FOR FURNISHING, INSTALLING AND CONNECTING ALL SERVICE ENTRANCE WIRING FROM TERMINAL BOX WHERE REQUIRED OR MAIN DISCONNECT TO METER SOCKETS AND ALSO BE RESPONSIBLE FOR ENSURING THAT TERMINAL BOX OR MAIN DISCONNECT HAS PROPER NUMBER, SIZE AND TYPE OF TERMINALS TO ACCEPT COMPANY SERVICE LATERAL.
4. CUSTOMER WILL INSTALL ALL METER SOCKETS AND CONNECT ALL CONDUCTORS IN METER SOCKET.
5. COMPANY WILL FURNISH AND INSTALL METERS.
6. METERED CONDUCTORS SHALL NOT BE INSTALLED IN WIRING TROUGH(S).
7. CUSTOMER MAY INSTALL METER STACK OR METER TROUGH TYPE EQUIPMENT SUBJECT TO COMPANY APPROVAL.
8. WIRING TROUGH(S), MAIN SERVICE DISCONNECT OR TERMINAL BOX SHALL BE SEALABLE, LOCKABLE AND SHALL ALSO BE WEATHERPROOF WHEN INSTALLED OUTDOORS.
9. LINE SIDE, DISCONNECT REQUIRED FOR EACH SOCKET ON 480 VOLT INSTALLATIONS, REFER TO FIGURE 17.
10. WHERE MORE THAN ONE METER IS TO BE INSTALLED AT A GIVEN LOCATION, EACH METER CIRCUIT SHALL BE MARKED TO INDICATE EXACTLY THE CUSTOMER SERVED. IN APARTMENT HOUSES, THE MARKINGS MUST BE THE SAME AS THE APARTMENT IDENTIFICATIONS, SUCH AS NUMBER OR LETTERS. MARKINGS SUCH AS "UPPER NORTH", "LEFT FRONT", "REAR", ETC., ARE NOT ACCEPTABLE. TENANT'S NAMES SHALL NOT BE USED AS MEANS OF IDENTIFICATION. IDENTIFICATION SHALL BE ON THE SERVICE SWITCH BOX WITH PAINT OR ON THE METER ENCLOSURE OR SOCKET BASE (NOT COVER) WITH PAINT OR METAL LETTER.
11. CUSTOMER GROUNDING SHALL BE IN ACCORDANCE WITH NEC.
12. AEP TEXAS - THE MAXIMUM NUMBER OF METERS INSTALLATION IS 12 UNLESS PRIOR AGREEMENT HAS BEEN REACHED VIA CONSULTATION WITH THE COMPANY.

MULTIPLE METER INSTALLATION

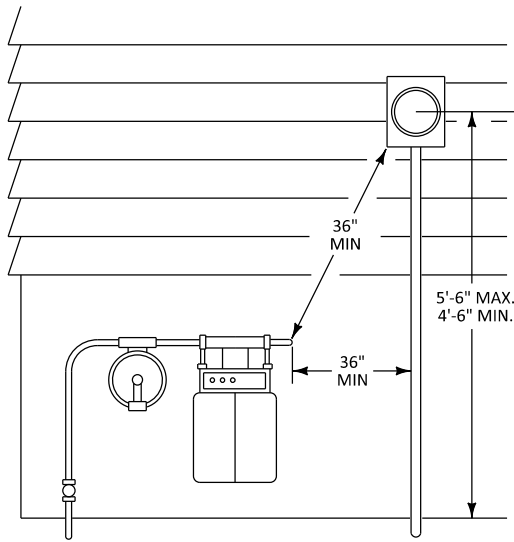
FIGURE 18



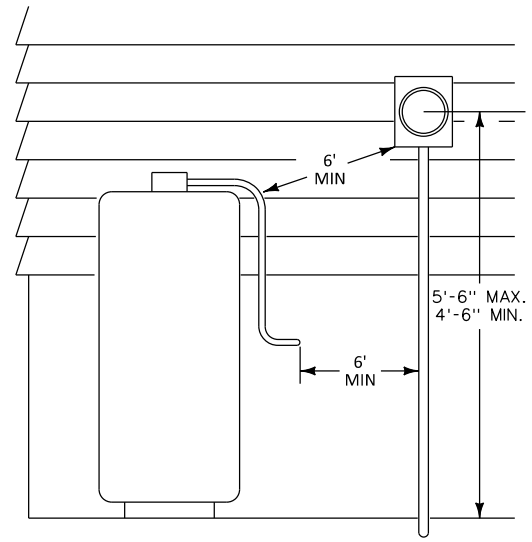
NOTES:

1. CUSTOMER MUST CONSULT WITH COMPANY FOR POINT OF ATTACHMENT OF SERVICE LATERAL OR DROP, METERING LOCATION, AND PROPOSED SERVICE ENTRANCE FACILITIES PRIOR TO PROCEEDING WITH THIS INSTALLATION.
2. ALL CUSTOMER WORK MUST BE COMPLETED AND INSPECTIONS OBTAINED BEFORE COMPANY WILL PROVIDE SERVICE.
3. CUSTOMER SHALL BE RESPONSIBLE FOR FURNISHING, INSTALLING AND CONNECTING ALL SERVICE ENTRANCE WIRING FROM TERMINAL BOX OR MAIN DISCONNECT TO METER SOCKETS AND ALSO BE RESPONSIBLE FOR INSURING THAT TERMINAL BOX OR MAIN DISCONNECT HAS PROPER NUMBER, SIZE AND TYPE OF TERMINALS TO ACCEPT COMPANY SERVICE LATERAL.
4. WHERE MORE THAN ONE METER IS TO BE INSTALLED AT A GIVEN LOCATION, EACH METER CIRCUIT SHALL BE MARKED TO INDICATE EXACTLY THE CUSTOMER SERVED. IN APARTMENT HOUSES, THE MARKINGS MUST BE THE SAME AS THE APARTMENT IDENTIFICATIONS, SUCH AS NUMBER OR LETTERS. MARKINGS SUCH AS "UPPER NORTH", "LEFT FRONT", "REAR", ETC., ARE NOT ACCEPTABLE. TENANT'S NAMES SHALL NOT BE USED AS MEANS OF IDENTIFICATION. IDENTIFICATION SHALL BE ON THE SERVICE SWITCH BOX WITH PAINT OR ON THE METER ENCLOSURE OR SOCKET BASE (NOT COVER) WITH PAINT OR METAL LETTER.
5. CUSTOMER GROUNDING SHALL BE IN ACCORDANCE WITH NATIONAL ELECTRICAL CODE. THE CUSTOMER SHALL HAVE A MINIMUM OF 2 DRIVEN GROUND RODS AT LEAST 6 FEET APART.
6. LINE SIDE, NONFUSED DISCONNECT REQUIRED FOR EACH SOCKET ON 480 VOLT INSTALLATIONS, REFER TO FIGURE 15.
7. ALL 320 AMP METER SOCKETS AND 200 AMP METER SOCKETS WITH FIVE OR SEVEN TERMINALS SHALL HAVE A JAW RELEASING, MANUALLY OPERATED, 100 % RATED BYPASS.
8. METER SOCKETS WILL BE RINGLESS AND HAVE A SAFETY SHIELD.
9. WIRE WAYS OR MAIN DISCONNECTS FOR UN-METERED CONDUCTORS SHALL HAVE PROVISIONS FOR BEING EFFECTIVELY SEALED OR LOCKED BY COMPANY PERSONNEL.
LINE AND LOAD CONDUCTORS SHALL NOT PASS THROUGH OR BE MIXED IN THE SAME WIRE-WAY, TROUGH OR MAIN-LINE DISCONNECT.
10. AEP TEXAS - THE MAXIMUM NUMBER OF METERS INSTALLATION IS 12 UNLESS PRIOR AGREEMENT HAS BEEN REACHED VIA CONSULTATION WITH THE COMPANY.

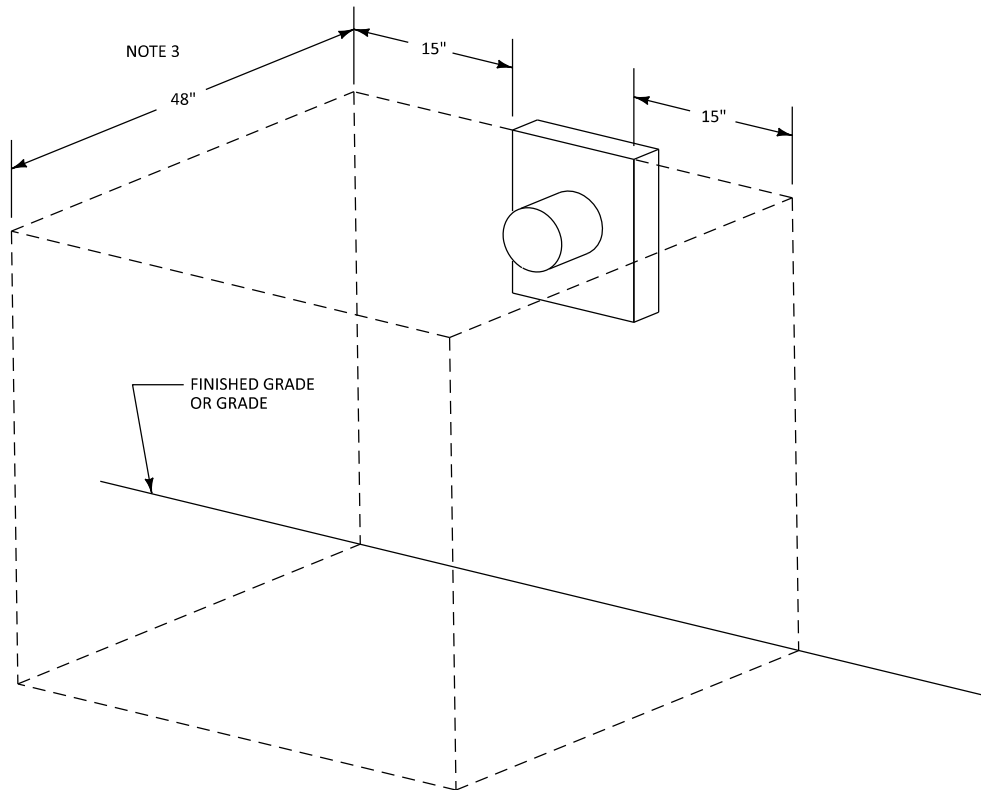
PRE-ASSEMBLED MULTIPLE METER INSTALLATION
FIGURE 19



NATURAL GAS



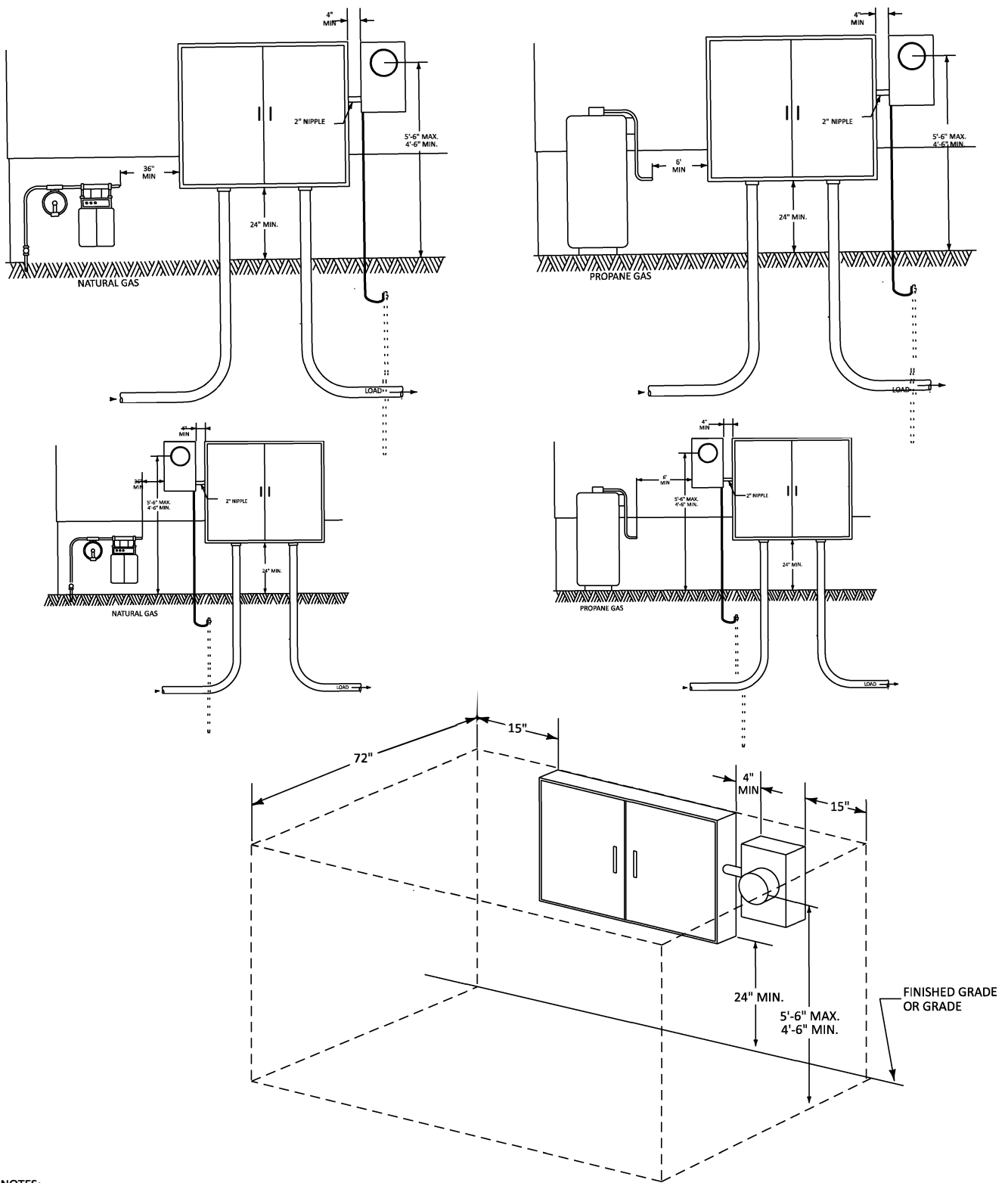
PROPANE GAS



NOTES:

1. DIMENSIONS SHOWN ARE MINIMUMS. LOCAL INSPECTING AUTHORITY MAY REQUIRE GREATER SEPARATION.
2. SUFFICIENT ACCESS AND WORKING SPACE SHALL BE PROVIDED AND MAINTAINED ABOUT ALL METERING EQUIPMENT TO PERMIT READY AND SAFE OPERATION AND MAINTENANCE OF SUCH EQUIPMENT. THE DIMENSION OF THE WORKING SPACE IN THE DIRECTION OF ACCESS TO LIVE PARTS OPERATING AT 600 VOLTS OR LESS AND LIKELY TO REQUIRE EXAMINATION, ADJUSTMENT, SERVICING OR MAINTENANCE WHILE LIVE SHALL NOT BE LESS THAN 4 FEET, AND THE WORK SPACE SHALL NOT BE LESS THAN FIFTEEN (15") INCHES TO EITHER SIDE OF THE ELECTRIC EQUIPMENT. IN NO CASE SHALL HEADROOM BE LESS THAN 7 FEET. PLANTS, SHRUBS, AND TREES MUST NOT BE PLANTED IN THIS SPACE.
3. SEE NEC FOR VOLTAGES GREATER THAN 120V TO GROUND.

METER CLEARANCES
FIGURE 20

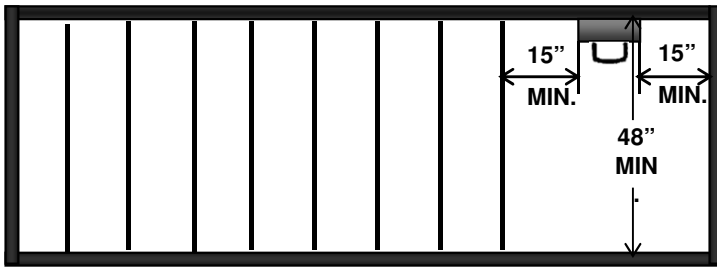


NOTES:

1. DIMENSIONS SHOWN ARE MINIMUMS. LOCAL INSPECTING AUTHORITY MAY REQUIRE GREATER SEPARATION.
2. SUFFICIENT ACCESS AND WORKING SPACE SHALL BE PROVIDED AND MAINTAINED ABOUT ALL METERING EQUIPMENT TO PERMIT READY AND SAFE OPERATION AND MAINTENANCE OF SUCH EQUIPMENT. THE DIMENSION OF THE WORKING SPACE IN THE DIRECTION OF ACCESS TO LIVE PARTS OPERATING AT 600 VOLTS OR LESS AND LIKELY TO REQUIRE EXAMINATION, ADJUSTMENT, SERVICING OR MAINTENANCE WHILE LIVE SHALL NOT BE LESS THAN 6 FEET, AND THE WORK SPACE SHALL NOT BE LESS THAN FIFTEEN (15") INCHES TO EITHER SIDE OF THE ELECTRIC EQUIPMENT. AS LONG AS DOORS CAN OPEN ALL THE WAY. THE 6' CLEARANCE IN FRONT OF THE CT CABINET SHALL BE REQUIRED TO ALLOW THE DOORS TO OPEN WITHOUT ANY OBSTRUCTIONS OR BARRIERS. IN NO CASE SHALL HEADROOM BE LESS THAN 7 FEET. PLANTS, SHRUBS, AND TREES MUST NOT BE PLANTED IN THIS SPACE.
- 3.

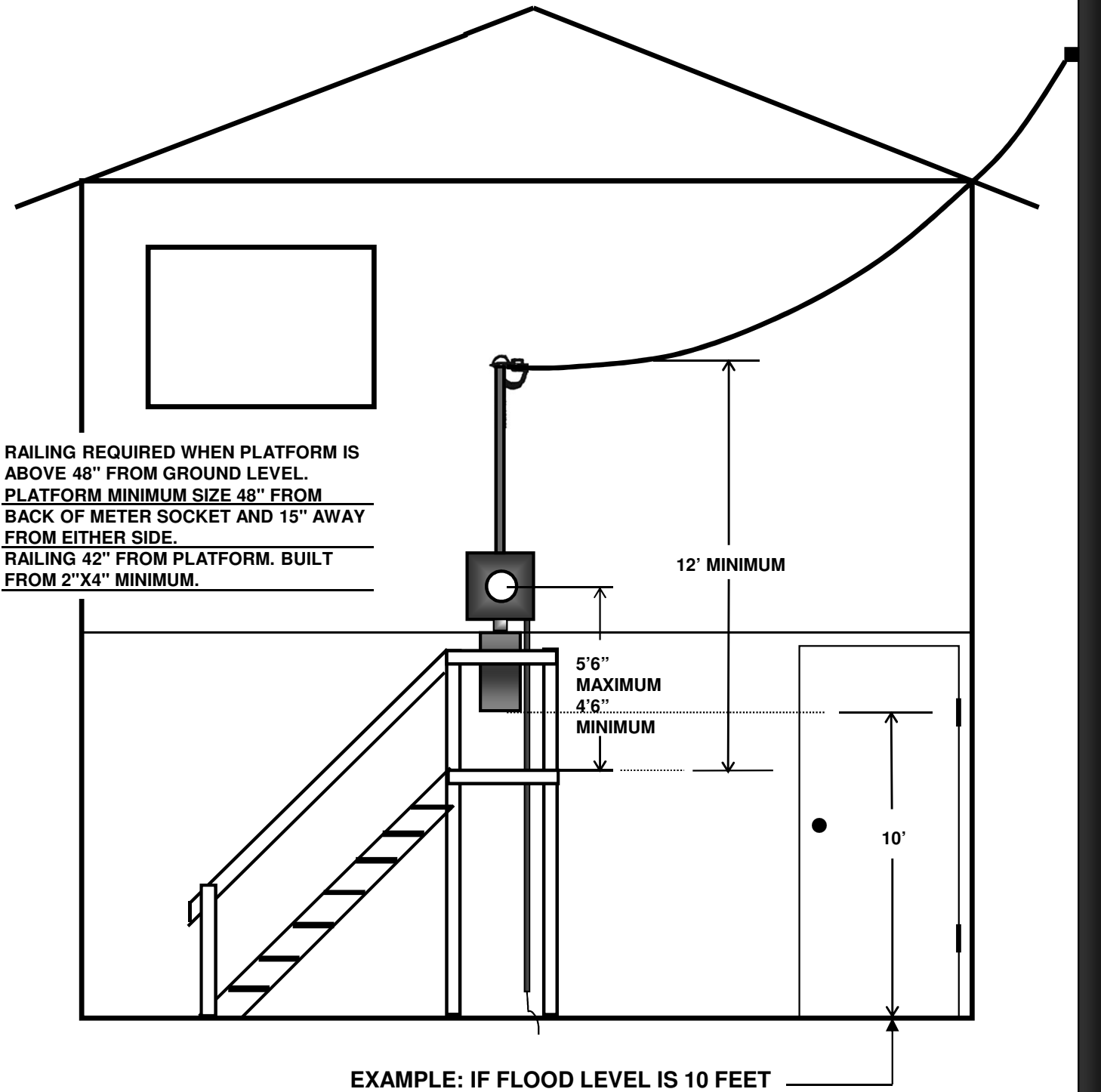
SEE NEC FOR VOLTAGES GREATER THAN 120V TO GROUND.

**CT CABINET AND METER EQUIPMENT CLEARANCES
GROUND LEVEL INSTALLATION
FIGURE 20A**



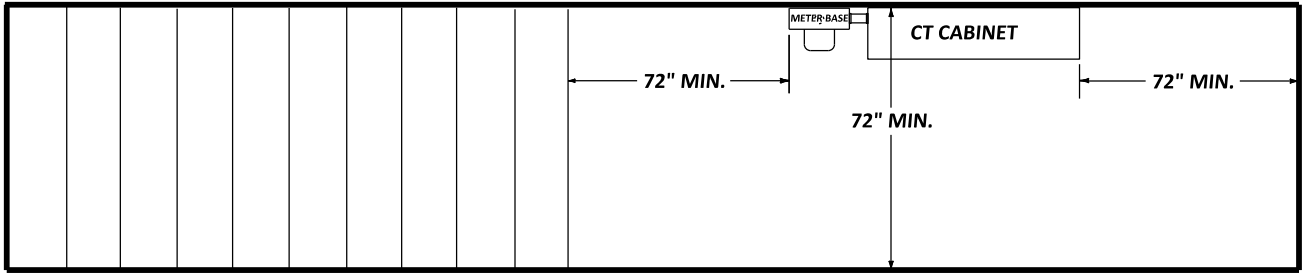
PLATFORM SHALL SAFELY WITHSTAND A 500 POUND WORKING LOAD.

TOP VIEW
 MINIMUM VERTICAL CLEARANCE SHALL BE AS REQUIRED BY NATIONAL ELECTRICAL SAFETY CODE, BUT IN NO CASE LESS THAN 12.0' AT LOWEST POINT OF SERVICE DROP.



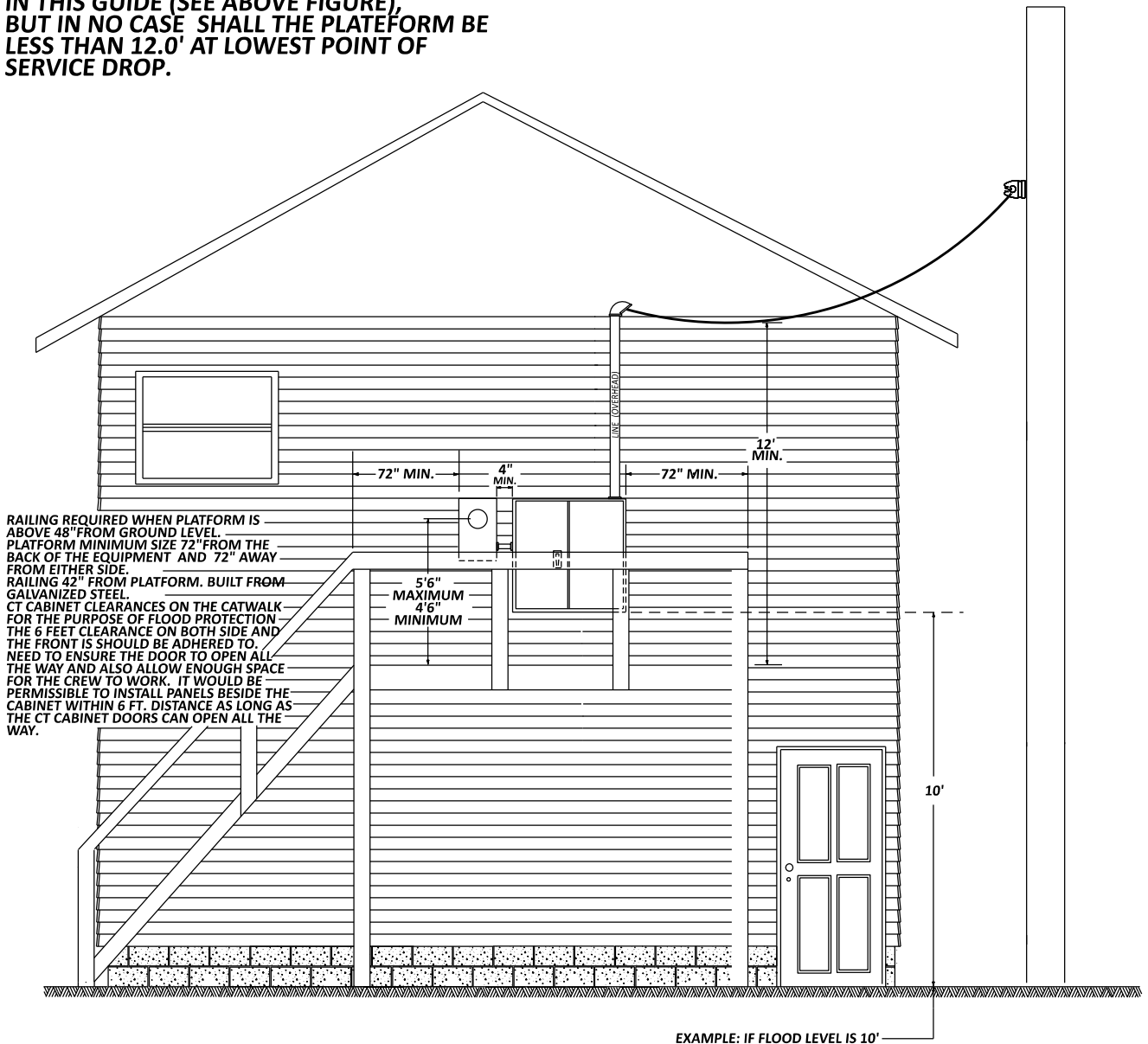
**TYPICAL SINGLE PHASE OVERHEAD METER INSTALLATION
 WALL MOUNT ABOVE FLOOD LEVEL WITH PLATFORM**

FIGURE 21

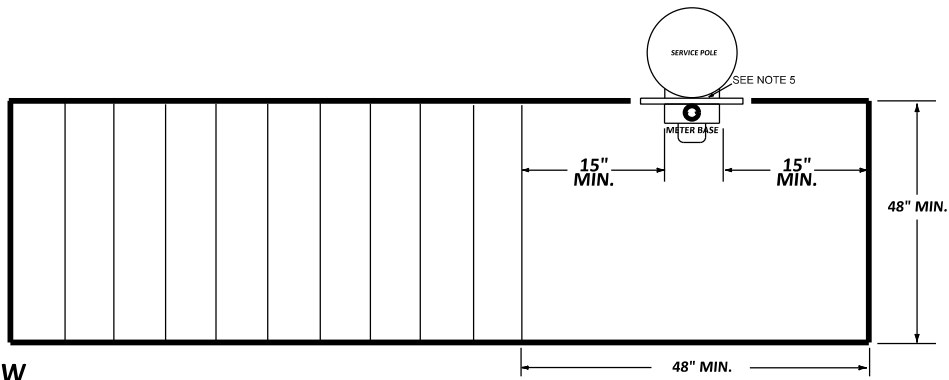


TOP VIEW

PLATFORM SHALL BE AN ENGINEERED PLATFORM AND MEET ALL AEP'S SPECIFICATIONS, AND SAFELY WITHSTAND A 1000 POUND MIN WORKING LOAD. MINIMUM VERTICAL CLEARANCE SHALL BE AS REQUIRED BY AEP SPECIFICATION STATED IN THIS GUIDE (SEE ABOVE FIGURE), BUT IN NO CASE SHALL THE PLATFORM BE LESS THAN 12.0' AT LOWEST POINT OF SERVICE DROP.

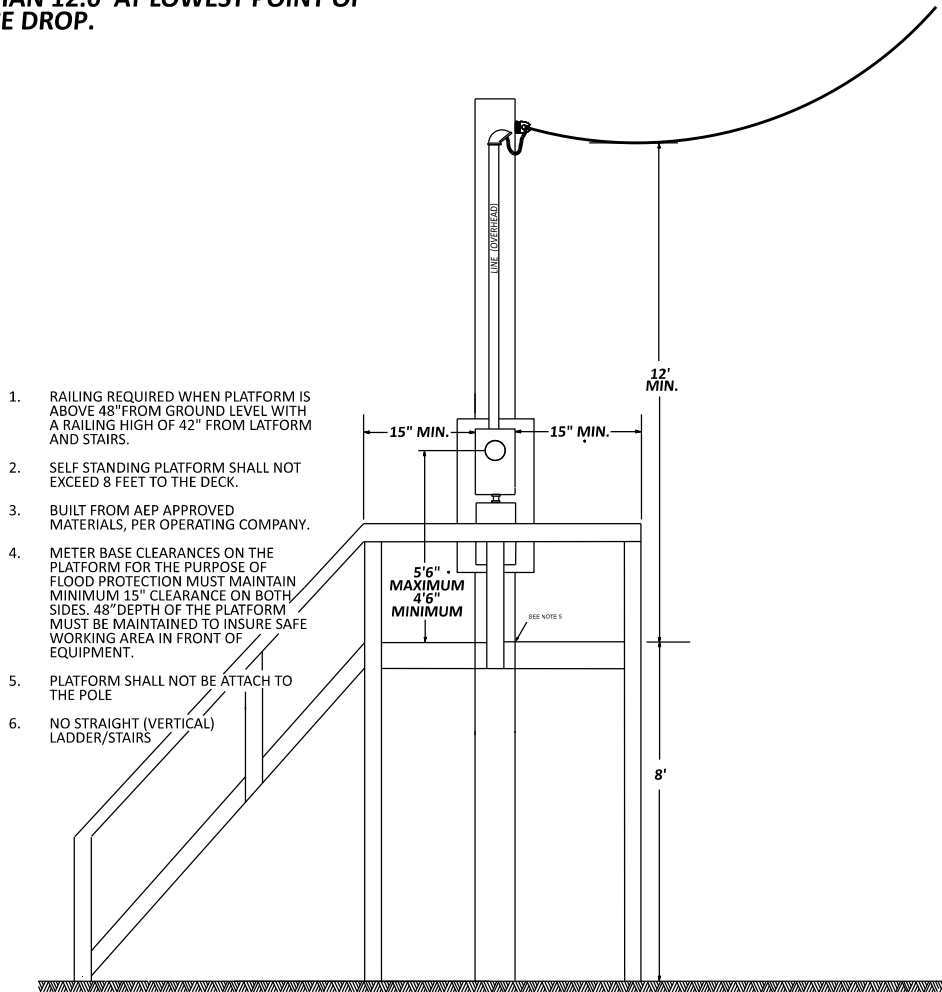


**TYPICAL OVERHEAD CT CABINET AND METER EQUIPMENT CATWALK INSTALLATION WALL MOUNT ABOVE FLOOD LEVEL WITH PLATFORM
FIGURE 21A**

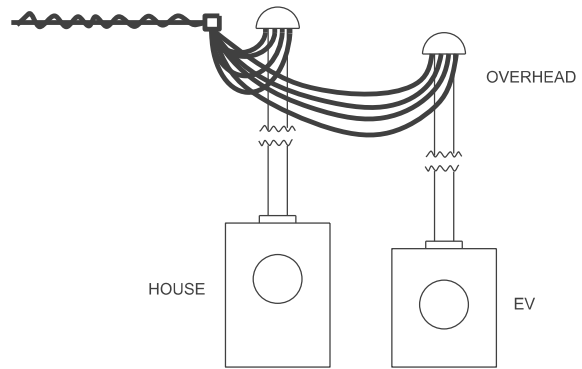
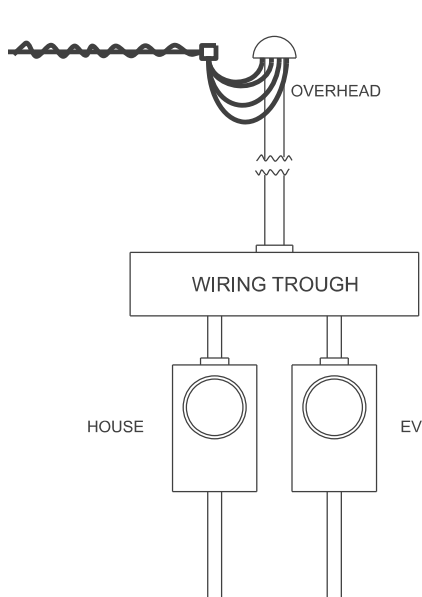
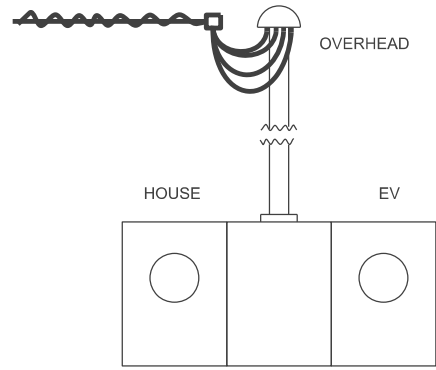
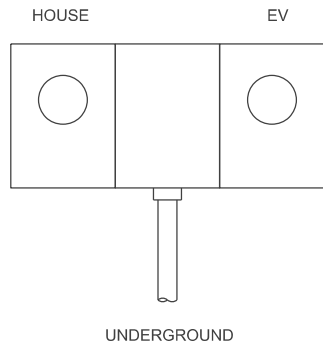


TOP VIEW

PLATFORM SHALL BE AN ENGINEERED PLATFORM AND MEET ALL AEP'S SPECIFICATIONS, AND SAFELY WITHSTAND A 1000 POUND MIN WORKING LOAD. MINIMUM VERTICAL CLEARANCE SHALL BE AS REQUIRED BY AEP SPECIFICATION STATED IN THIS GUIDE (SEE ABOVE FIGURE), BUT IN NO CASE SHALL THE PLATFORM BE LESS THAN 12.0' AT LOWEST POINT OF SERVICE DROP.



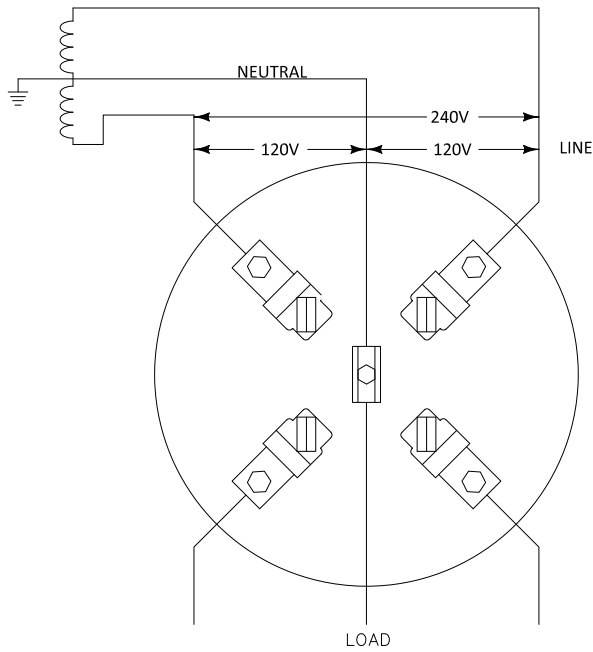
**TYPICAL OVERHEAD METER EQUIPMENT
SELF-STANDING PLATFORM INSTALLATION POLE MOUNT ABOVE FLOOD LEVEL
FIGURE 21B**



METER SOCKET LAYOUT
FOR ADDING A SEPARATELY METERED ELECTRIC VEHICLE SERVICE

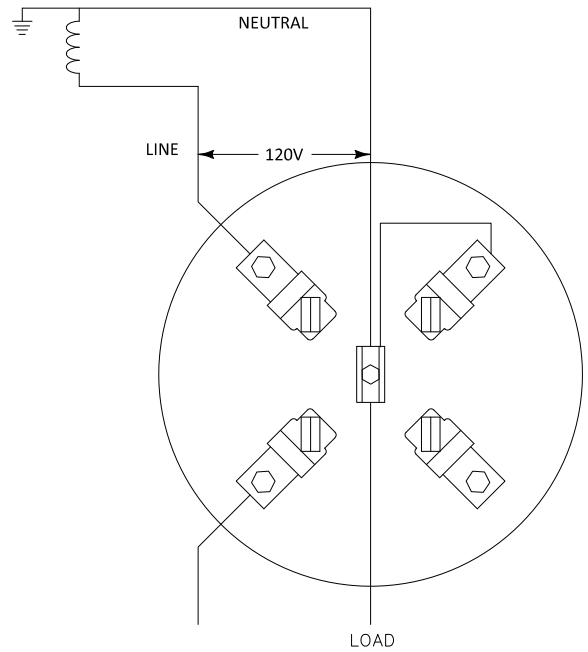
FIGURE 22

AMERICAN ELECTRIC POWER COMPANY
DISTRIBUTION STANDARDS



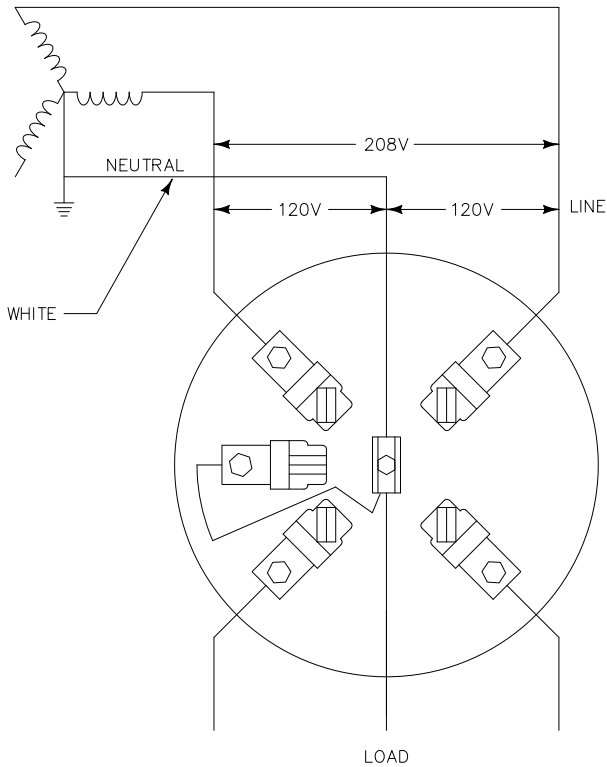
**3 WIRE 120/240 VOLT
SINGLE PHASE SELF CONTAINED**

M.S._F023a



**2 WIRE 120 VOLT
SINGLE PHASE SELF CONTAINED**

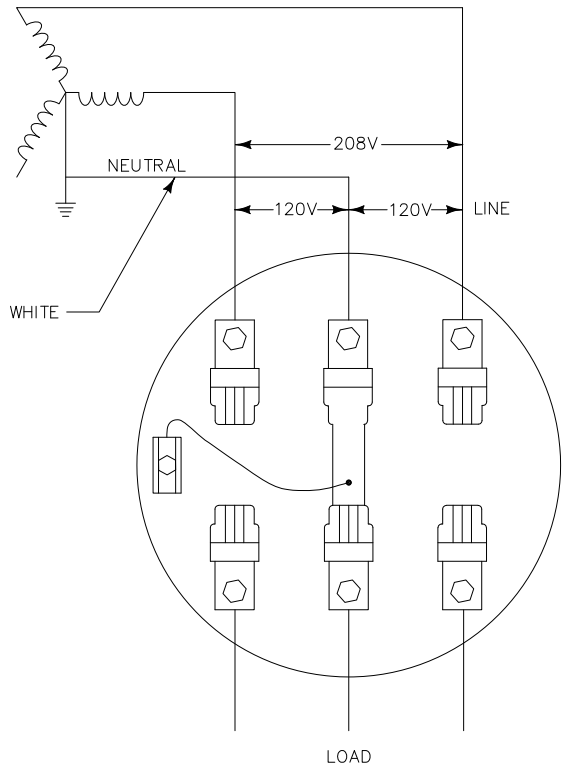
M.S._F023b



**3 WIRE NETWORK 120/208 VOLT
SINGLE PHASE SELF CONTAINED**

M.S._F023c

INDIANA, KENTUCKY, MICHIGAN, OHIO, OKLAHOMA-RESIDENTIAL,
TENNESSEE, TEXAS, VIRGINIA, WEST VIRGINIA

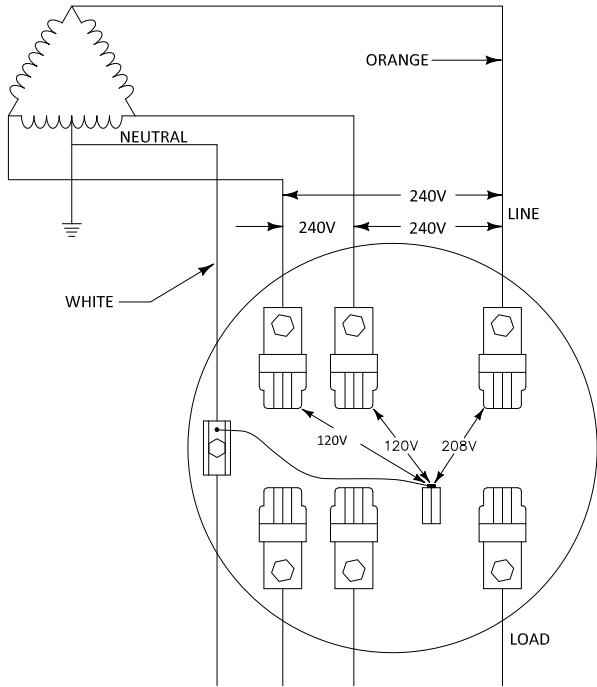


**3 WIRE NETWORK 120/208 VOLT
SINGLE PHASE SELF CONTAINED**

M.S._F023d

SELF CONTAINED METER SOCKET CONNECTIONS (SINGLE PHASE AND NETWORK)

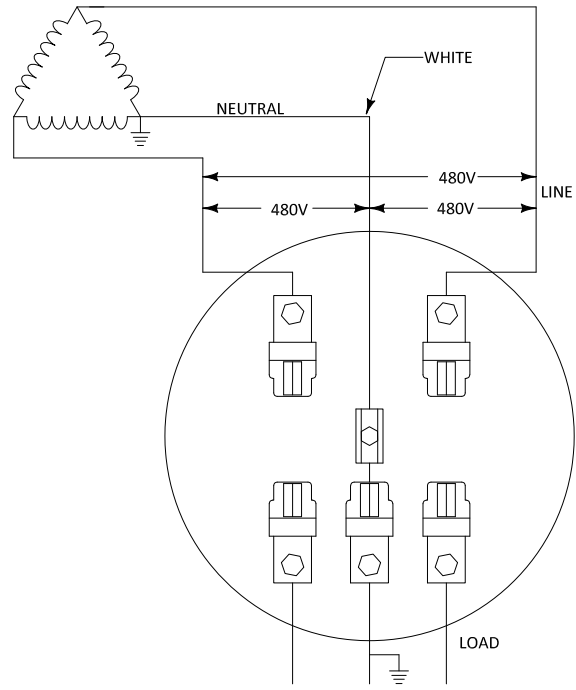
AMERICAN ELECTRIC POWER COMPANY
DISTRIBUTION STANDARDS



**4 WIRE DELTA 120/240 VOLT
THREE PHASE SELF CONTAINED**

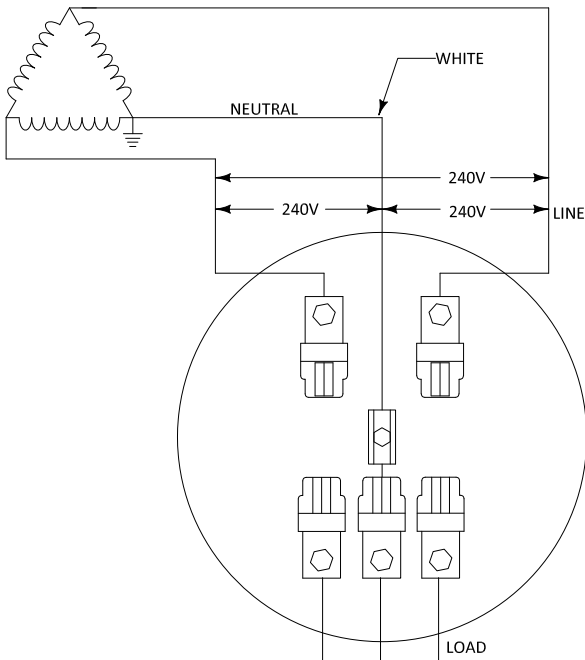
ON A 4-WIRE DELTA CONNECTION, THE PHASE HAVING THE HIGHEST VOLTAGE TO GROUND (HIGH LEG OR WILD LEG) MUST BE CONNECTED TO THE RIGHT HAND TERMINALS OF THE METER SOCKET. IN OTHER LOCATION, SUCH AS SERVICE ENCLOSURES, DISCONNECTS, ETC., THE "HIGH LEG" IS CONNECTED TO THE CENTER TERMINAL.

FIGURE M.S._F024a



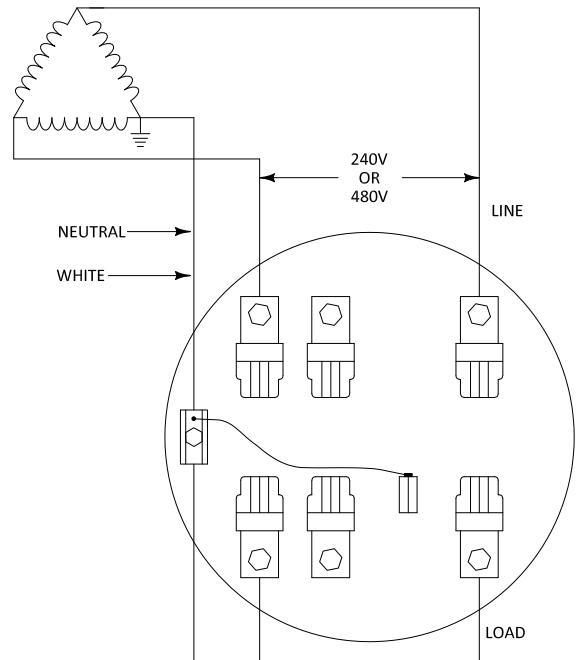
**3 WIRE 480 VOLT
THREE PHASE SELF CONTAINED
CENTER PHASE DISCONNECT**
OKLAHOMA, AEP TEXAS

FIGURE M.S._F024b



**3 WIRE 240 VOLT
THREE PHASE SELF CONTAINED
CENTER PHASE DISCONNECT**
ARKANSAS, OKLAHOMA, LOUISIANA, TEXAS

FIGURE M.S._F024c

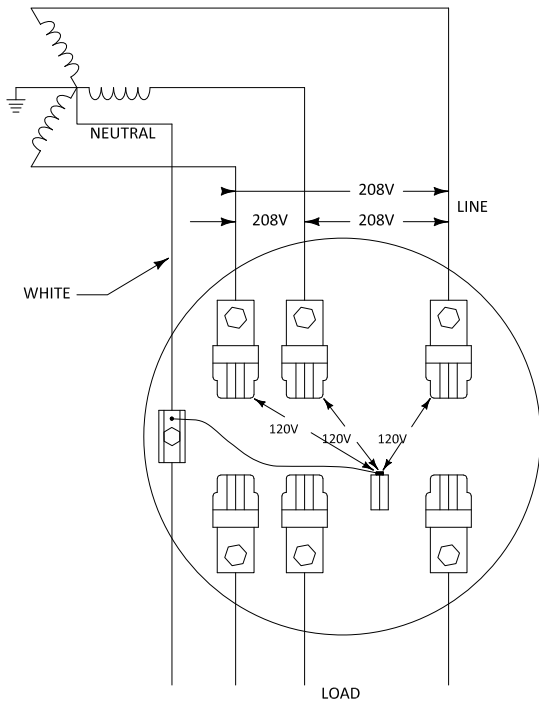


**3 WIRE 240 OR 480 VOLT
THREE PHASE SELF CONTAINED
7 TERMINAL SOCKET**
INDIANA, KENTUCKY, MICHIGAN, OHIO,
TENNESSEE, VIRGINIA, WEST VIRGINIA

FIGURE M.S._F024d

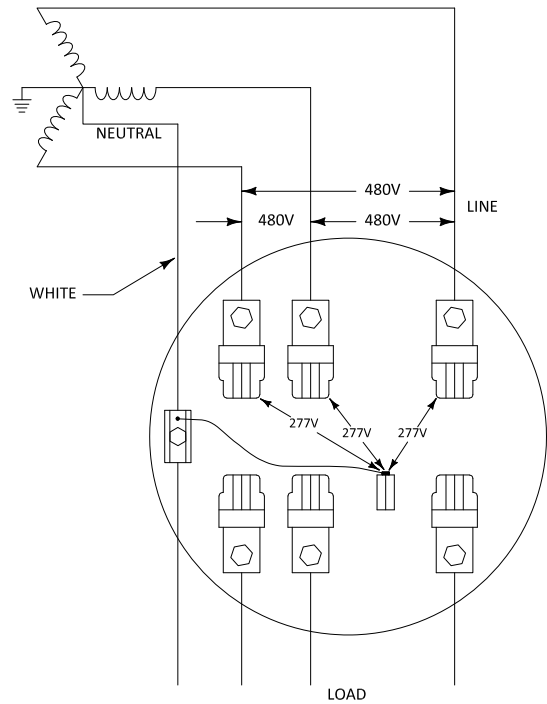
SELF CONTAINED METER SOCKET CONNECTIONS (THREE WIRE AND FOUR WIRE DELTA)

AMERICAN ELECTRIC POWER COMPANY
DISTRIBUTION STANDARDS



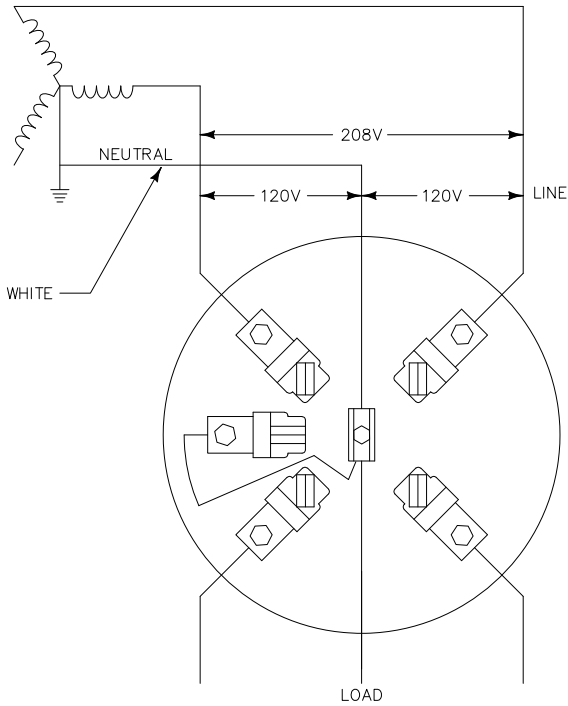
**4 WIRE WYE 120/208 VOLT
THREE PHASE SELF CONTAINED**

FIGURE M.S._F025a



**4 WIRE WYE 277/480 VOLT
THREE PHASE SELF CONTAINED**

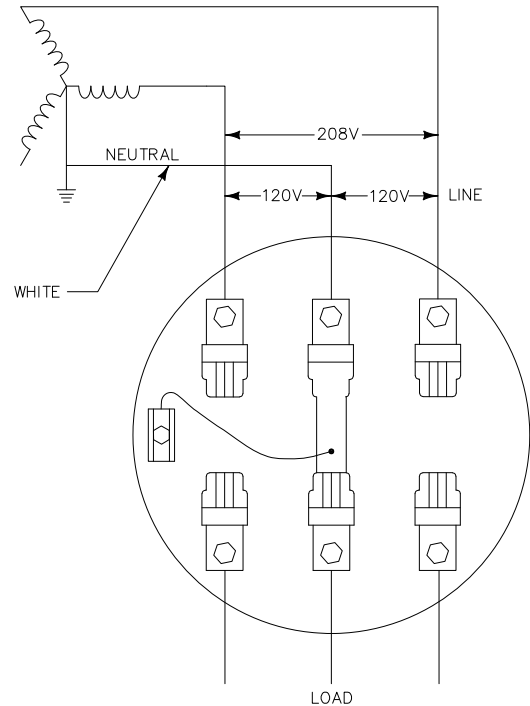
FIGURE M.S._F025b



**3 WIRE NETWORK 120/208 VOLT
SINGLE PHASE SELF CONTAINED**

INDIANA, KENTUCKY, MICHIGAN, OHIO, OKLAHOMA-RESIDENTIAL,
TENNESSEE, TEXAS, VIRGINIA, WEST VIRGINIA

FIGURE M.S._F025a



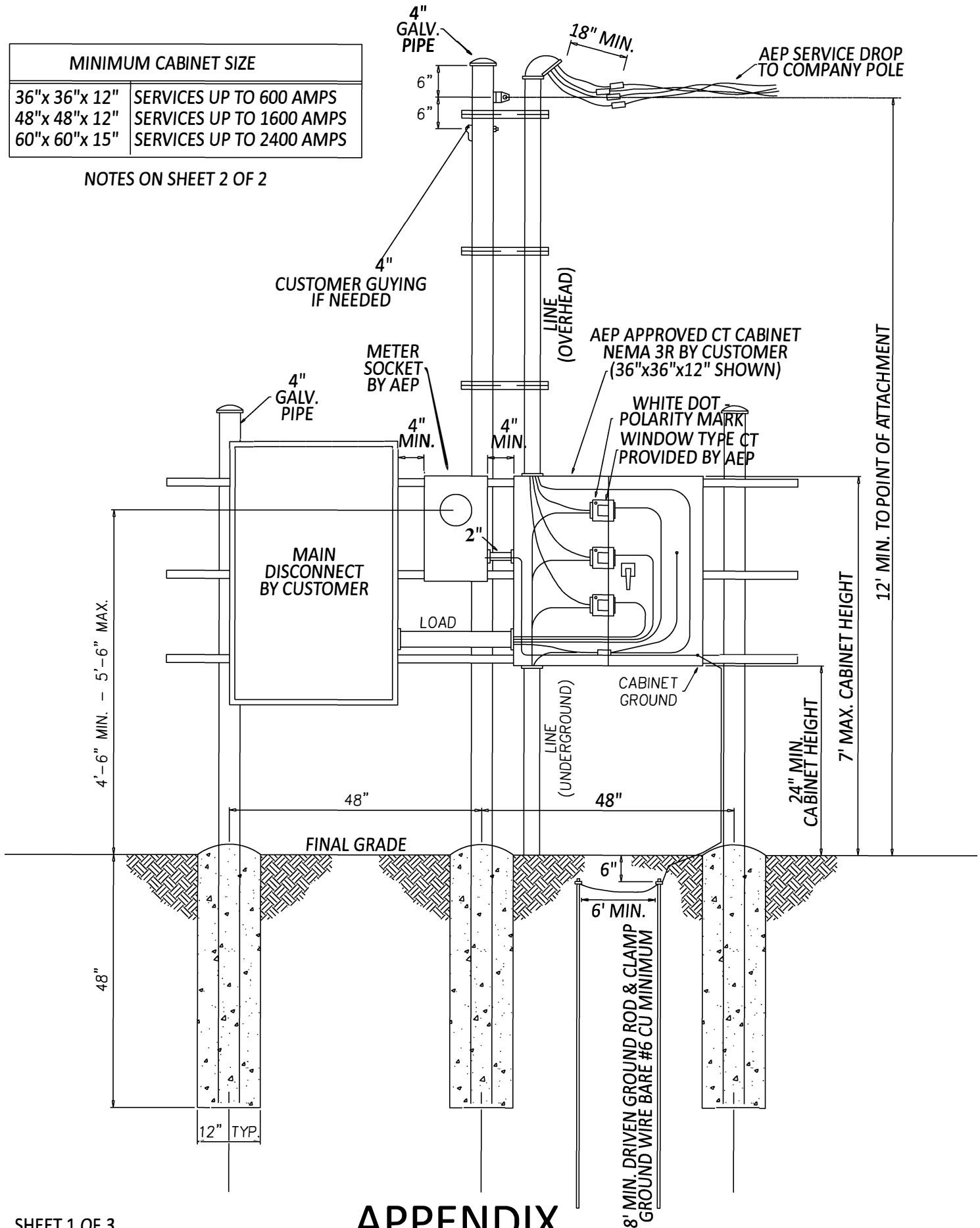
**3 WIRE NETWORK 120/208 VOLT
SINGLE PHASE SELF CONTAINED**

FIGURE M.S._F025d

SELF CONTAINED METER SOCKET CONNECTIONS (THREE & FOUR WIRE WYE)

| MINIMUM CABINET SIZE | |
|----------------------|--------------------------|
| 36"x 36"x 12" | SERVICES UP TO 600 AMPS |
| 48"x 48"x 12" | SERVICES UP TO 1600 AMPS |
| 60"x 60"x 15" | SERVICES UP TO 2400 AMPS |

NOTES ON SHEET 2 OF 2



APPENDIX

NOTES

1) CT CABINET, FURNISHED AND INSTALLED BY CUSTOMER, SHALL BE OF SUBSTANTIAL STRENGTH WITH CORROSION PROTECTION, SUCH AS PAINTED GALVANIZED STEEL NEMA 3R. ALUMINUM OR FIBER REINFORCED POLYESTER ENCLOSURES MUST BE USED IN CORROSIVE AREAS. IT SHALL BE FITTED WITH HINGED DOORS AND SHALL HAVE PROVISIONS FOR INSTALLING A COMPANY PADLOCK AND SEAL. THE INSIDE BACK OF THE CABINET SHALL BE ENTIRELY COVERED BY 3/4" TREATED PLYWOOD FOR MOUNTING THE CURRENT TRANSFORMERS OR (AEP TEXAS) SUITABLE MOUNTING BRACKETS MAY BE PROVIDED. A GROUNDING LUG SHALL BE PROVIDED TO GROUND THE CABINET.

2) THE WHITE DOT POLARITY MARK ON THE CT SHALL BE TOWARD THE ENERGY SOURCE OR LINE SIDE.

3) CUSTOMER SHOULD MOUNT THE METER SOCKET OR CABINET NEXT TO THE CT CABINET AND INSTALL 1 1/4" CONDUIT BETWEEN THE TWO. IF THE METER SOCKET CANNOT BE INSTALLED NEXT TO THE CT CABINET, IT MAY BE LOCATED UP TO 20 FEET AWAY WITH COMPANY METER SERVICES APPROVAL. 1 1/4" CONDUIT SHALL CONNECT THE SOCKET AND CT CABINET.

4) THE CT CABINET AND METER SOCKET SHALL BE GROUNDED. THE METER SOCKET AND CT CABINET SHALL BE BONDED THROUGH A SEPARATE EQUIPMENT-GROUNDING CONDUCTOR CONNECTED TO THE GROUNDED SERVICE CONDUCTOR (USUALLY THE NEUTRAL). IF A GROUNDED SERVICE CONDUCTOR DOES NOT EXIST THEN GROUNDING AND BONDING OF METERING EQUIPMENT MUST BE ESTABLISHED THROUGH A GROUNDING ELECTRODE SYSTEM ESTABLISHED AT THE POINT OF SERVICE. IN SOME JURISDICTIONS THE GROUNDING OF THE METER SOCKET AND INSTRUMENT TRANSFORMER ENCLOSURE WILL BE SUPPLEMENTED WITH THE USE OF A DRIVEN GROUND ROD IN ADDITION TO BONDING TO THE GROUNDED SERVICE CONDUCTOR. REFER TO SECTION 9 FOR CT CABINET SPECIFICATIONS.

5) COMPANY WILL INSTALL THE SECONDARY WIRING BETWEEN THE CT AND THE METER SOCKET.

6) FOR UNDERGROUND APPLICATIONS - BURIAL DEPTH IS THE DISTANCE BETWEEN FINAL GRADE AND THE TOP OF THE BURED CABLE OR CONDUIT. THE POWER COMPANY SHALL SPECIFY THE REQUIRED BURIAL DEPTH TO CONFIRM TO LOCAL REQUIREMENTS. THE BURIAL DEPTH SHALL NOT BE LESS THAN 3'-0".

7) FOR UNDERGROUND APPLICATIONS - THE COMPANY WILL BE RESPONSIBLE FOR: DESIGNATING THE LOCATOIN FOR THE TRENCH AND THE METER, PROVIDING AND INSTALLING THE UNDERGROUND SERVICE LATERAL IN SERVICE TERRITORIES WHERE REQUIRED, PROVIDING THE METER BASE TO CUSTOMER WHERE REQUIRED.

APPENDIX